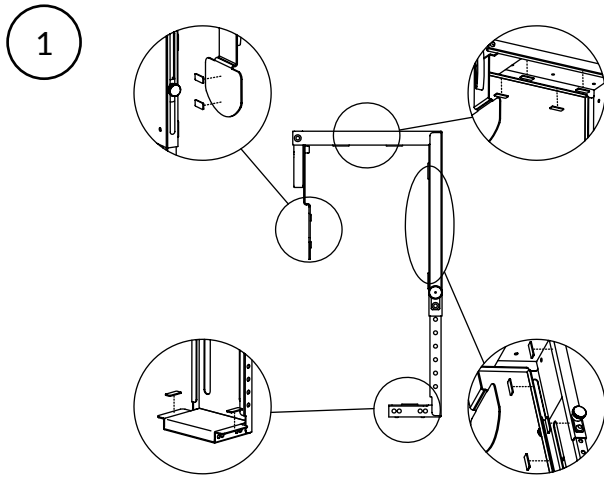


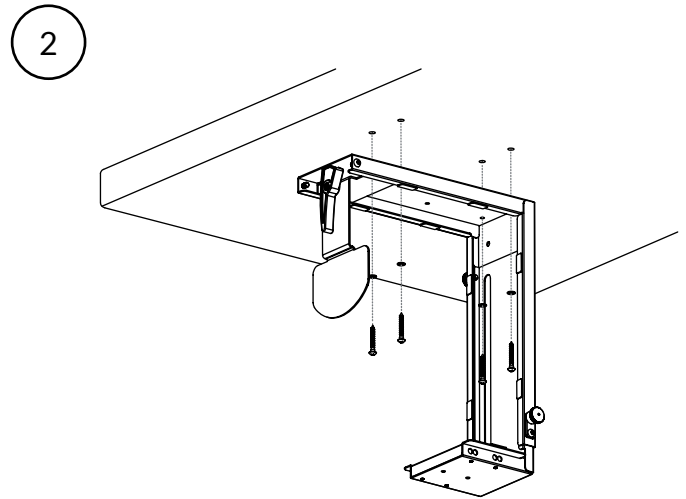
C4 Mini - CPU Holder

O & M Manual

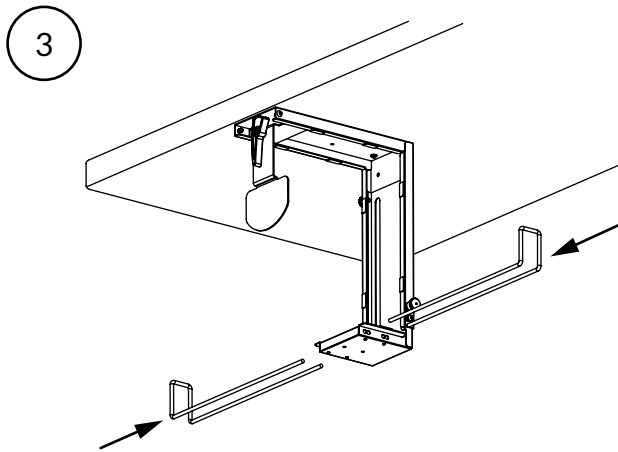
Cleaning Guidelines:
Only use non-solvent based cleaner



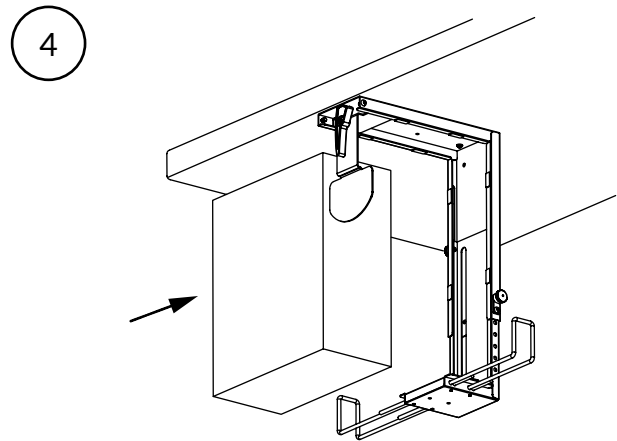
Apply protective pads in areas shown above.



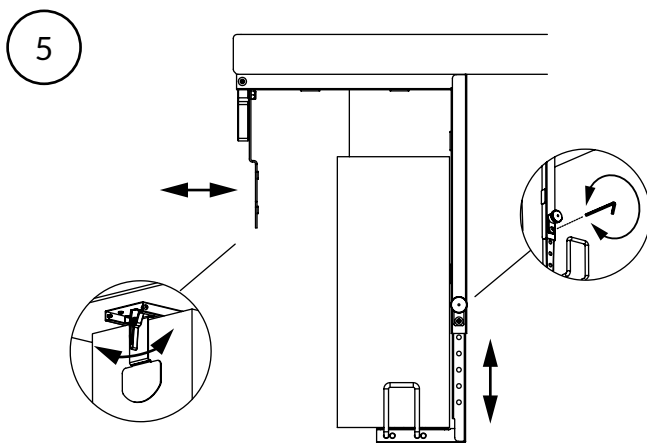
screw unit into worktop



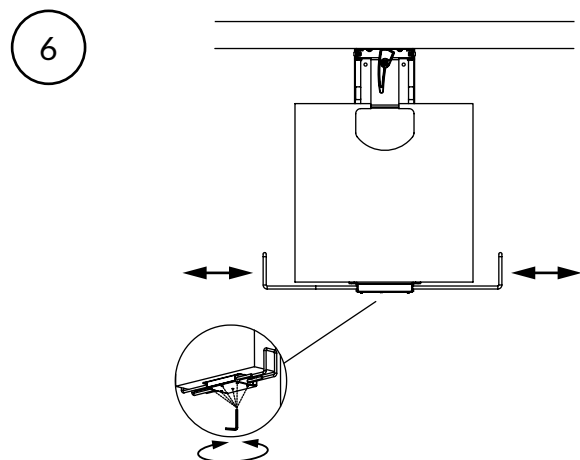
Insert support brackets into main body of unit.



Insert CPU into Holder. Use available fasteners to secure and tighten.



Slide CPU up and tighten. Slide paddle arm against CPU and tighten.



Slide lower arms against CPU and tighten.