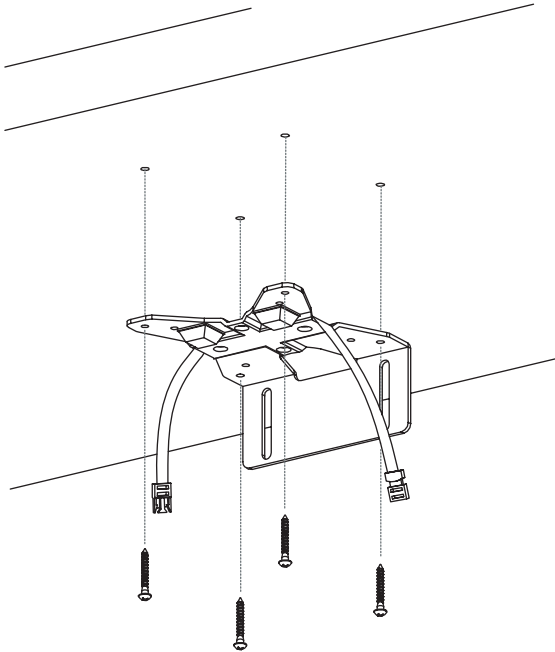


C7 Micro - Desk Mounting

O & M Manual

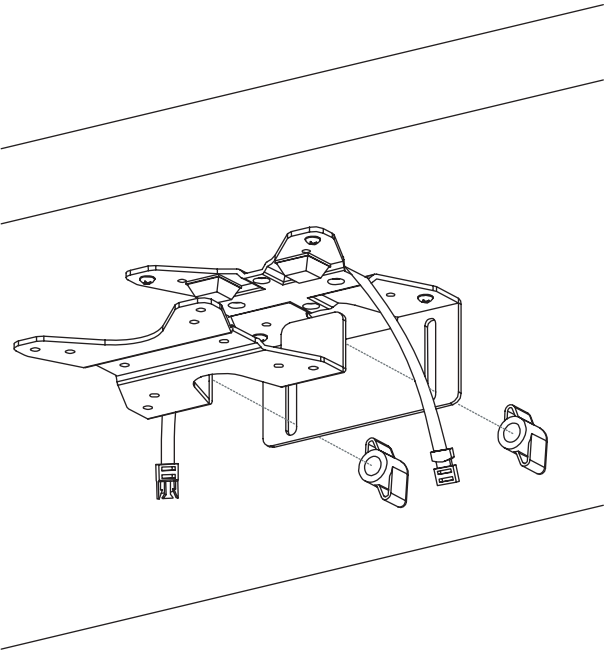
Cleaning Guidelines:
Only use non-solvent based cleaner

1



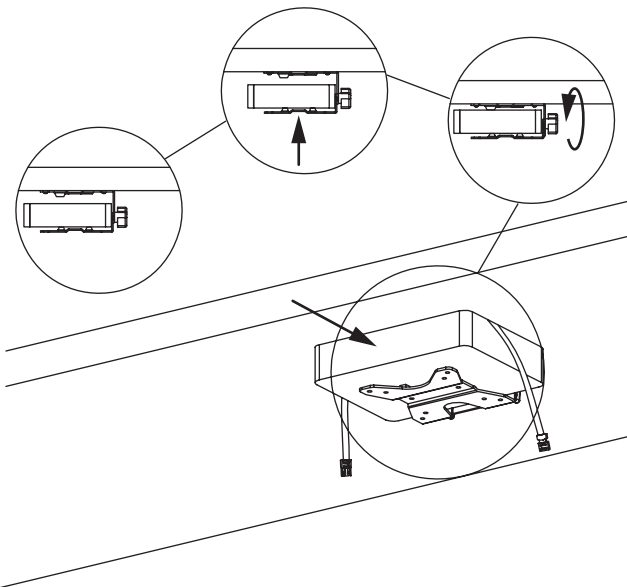
Screw CPU Holder to surface.

2



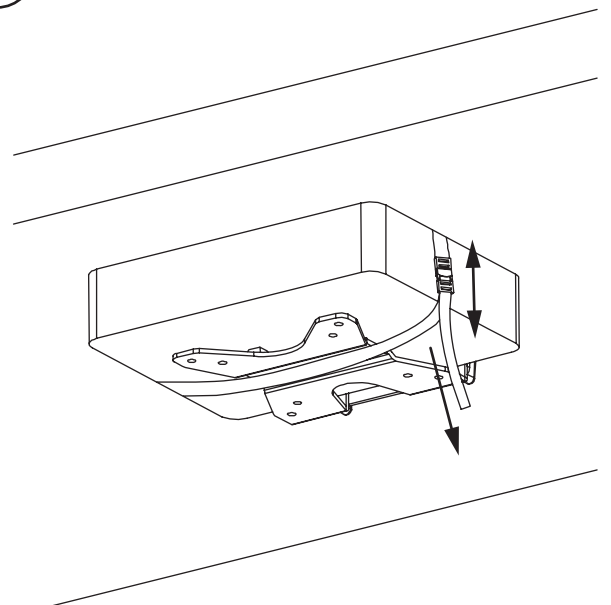
Assemble CPU Holder with thumbscrews.

3



Push CPU Holder tight up against surface, tighten with thumbscrews.

4

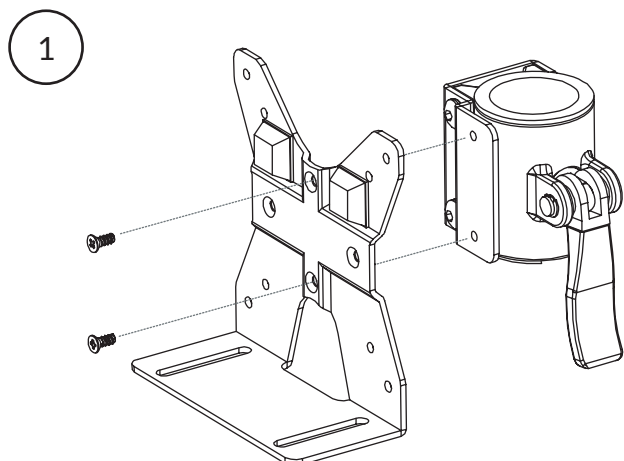


Clip ribbon closed, tighten to secure.

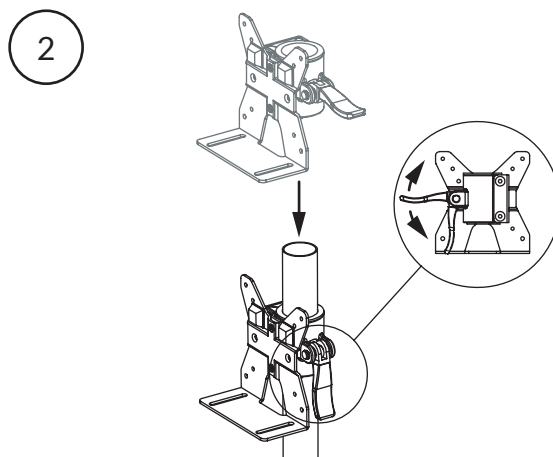
C7 Micro - Pole Mounting (35mm)

O & M Manual

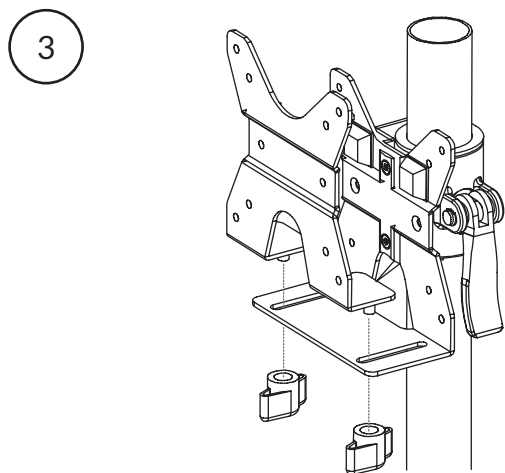
Cleaning Guidelines:
Only use non-solvent based cleaner



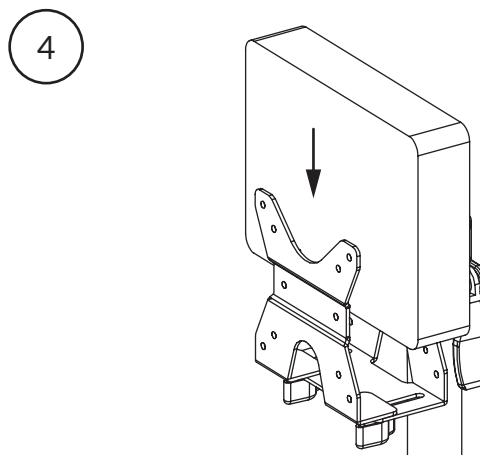
1
Screw CPU holder to pole clamp.



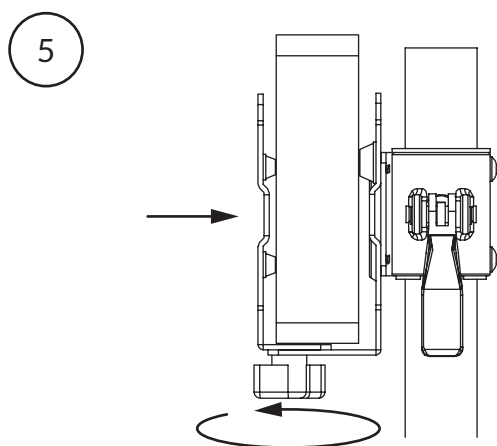
2
Place clamp on pole in desired position. Tighten with lever.



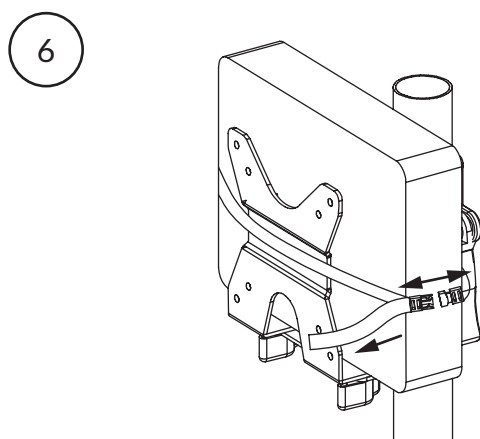
3
Assemble CPU holder using thumbscrews.



4
Insert CPU into holder.



5
Push the CPU holder closed, tighten with thumbscrews.



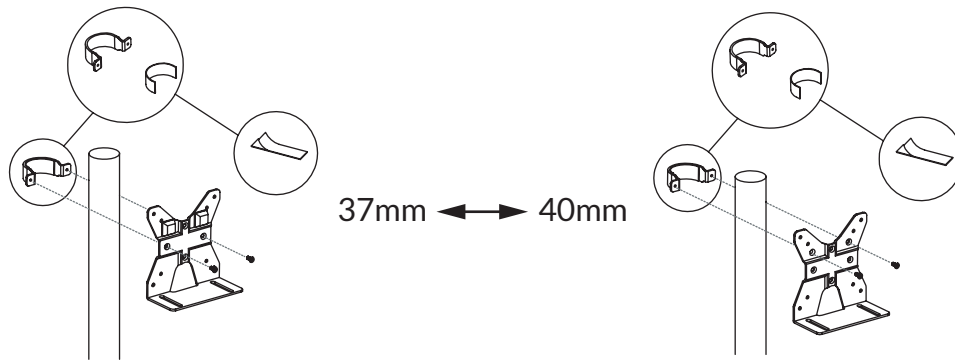
6
Use ribbon to secure the CPU. Snap shut and tighten.

C7 Micro - Pole Mounting (37-40mm)

O & M Manual

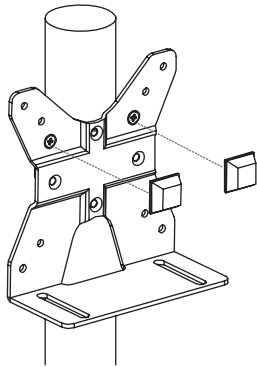
Cleaning Guidelines:
Only use non-solvent based cleaner

1



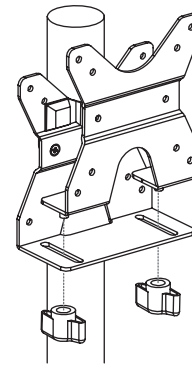
Use upper or lower screw holes to attach the CPU to corresponding pole diameter.

2



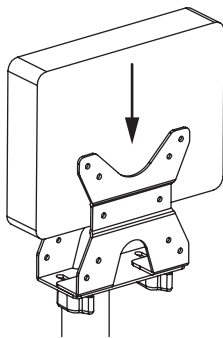
Attach pads over screws.

3



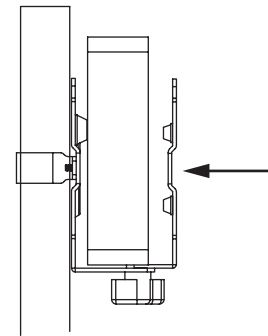
Use thumbscrews to assemble CPU holder.

4



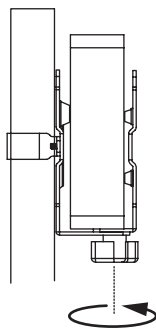
Place CPU inside the CPU holder.

5



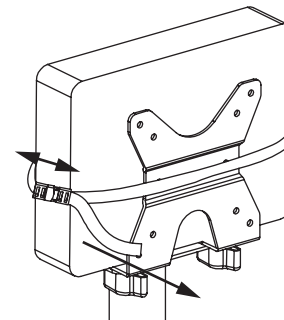
Push close around CPU.

6



Use thumbscrew at bottom to tighten.

7



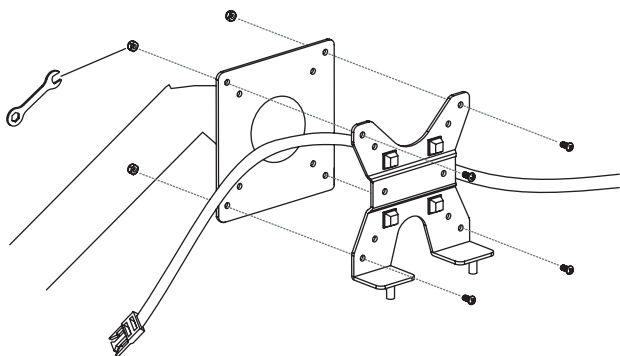
Click shut ribbon around CPU and tighten.

C7 Micro - Vesa Mounting

O & M Manual

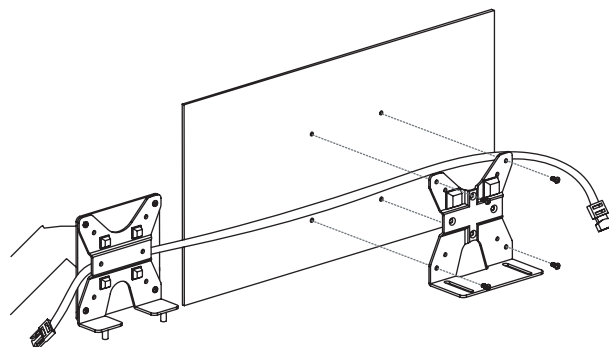
Cleaning Guidelines:
Only use non-solvent based cleaner

1



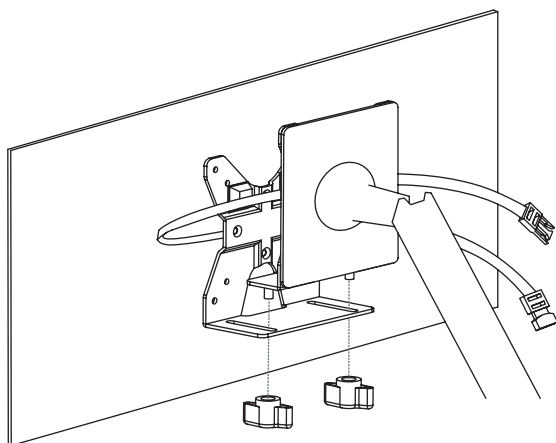
Screw CPU holder to VESA plate with screws.

2



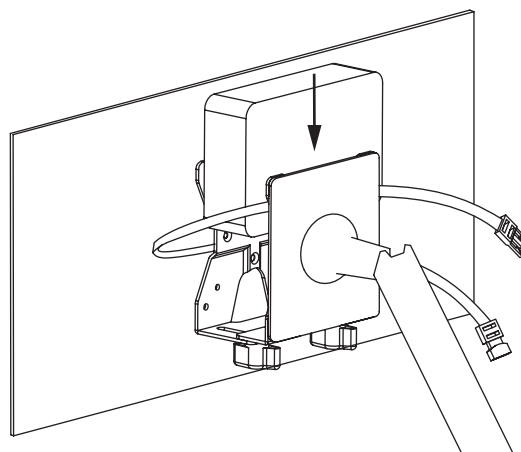
Align ribbon behind CPU holder. Screw monitor to CPU holder.

3



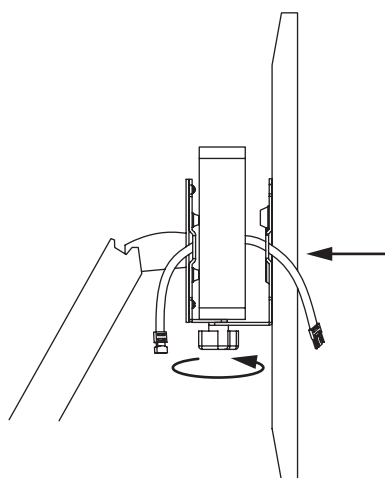
Attach monitor and CPU holder with thumb-screws.

4



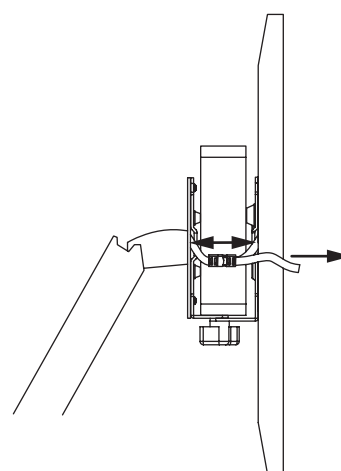
Insert CPU into holder.

5



Sandwich the CPU and monitor. Tighten with thumbscrew.

6



Clip ribbon together. Pull to tighten.