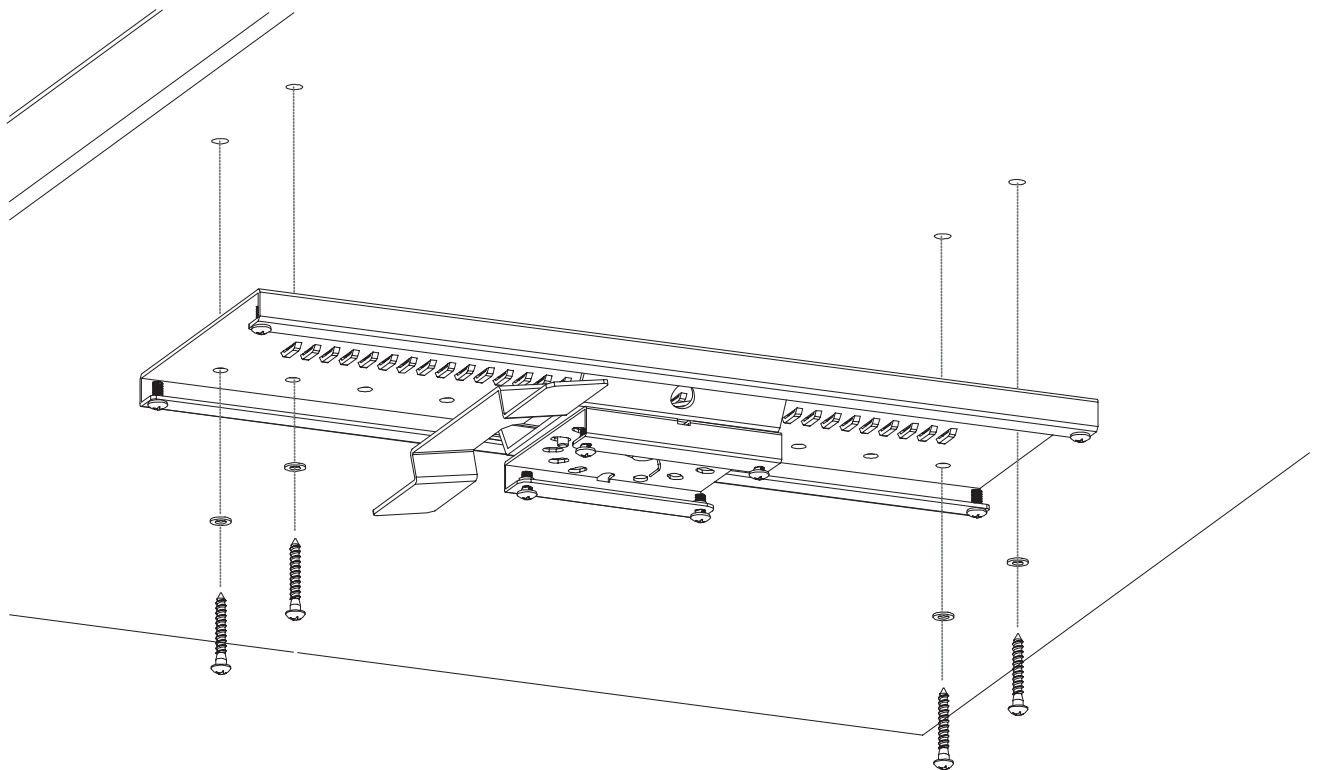
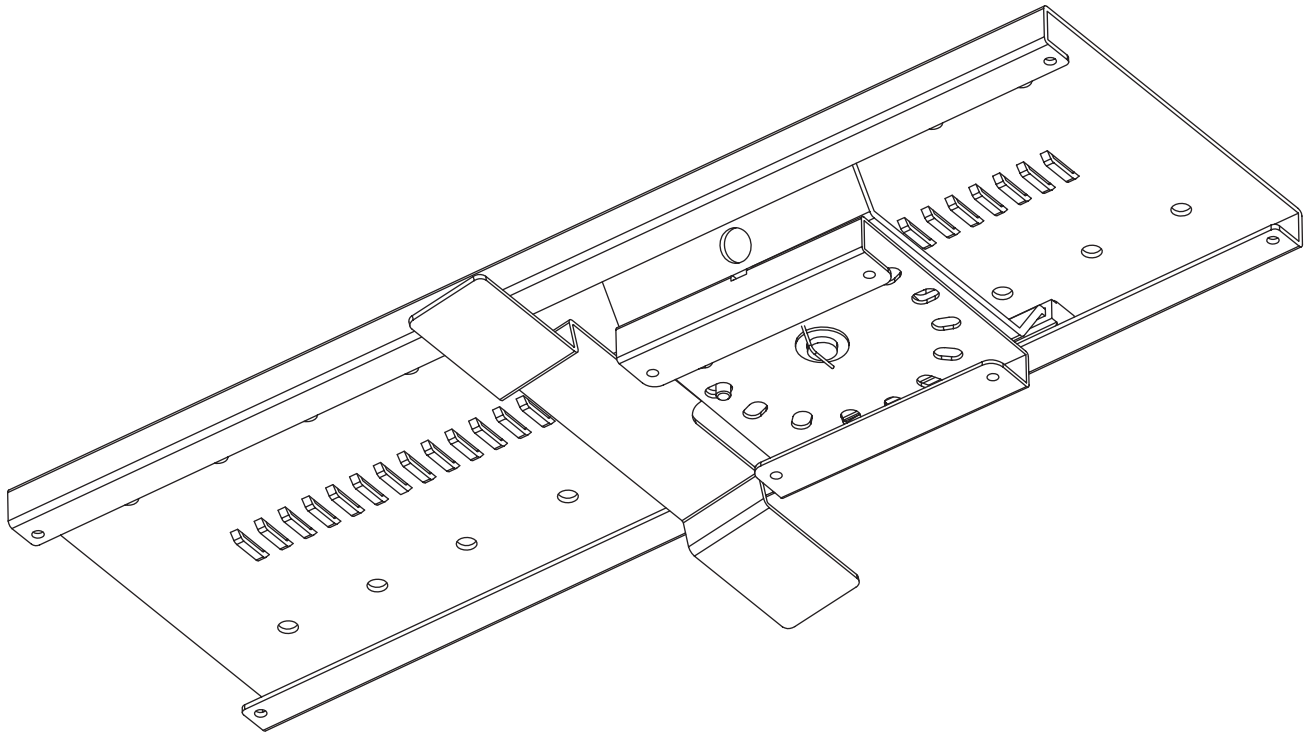


C9 Slide & Rotate - CPU Holder Mount

O & M Manual

Cleaning Guidelines:
Only use non-solvent based cleaner



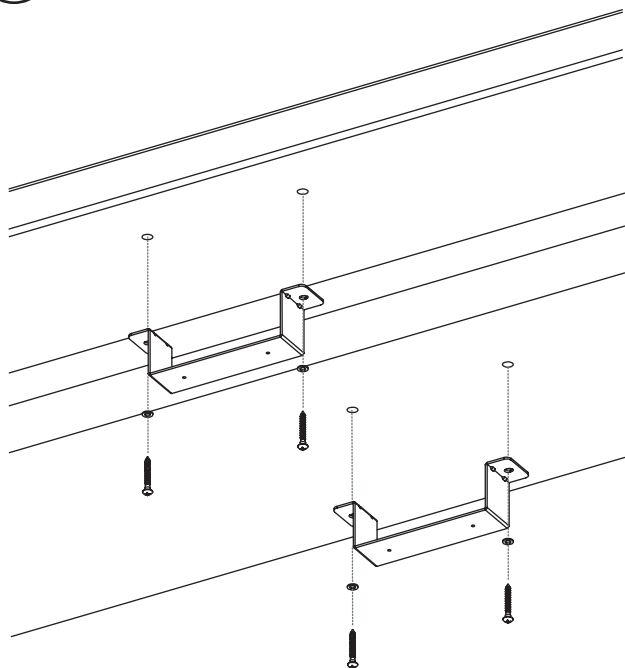
Secure C9 by screwing to surface.

C9 Slide & Rotate - Mount with Spacer

O & M Manual

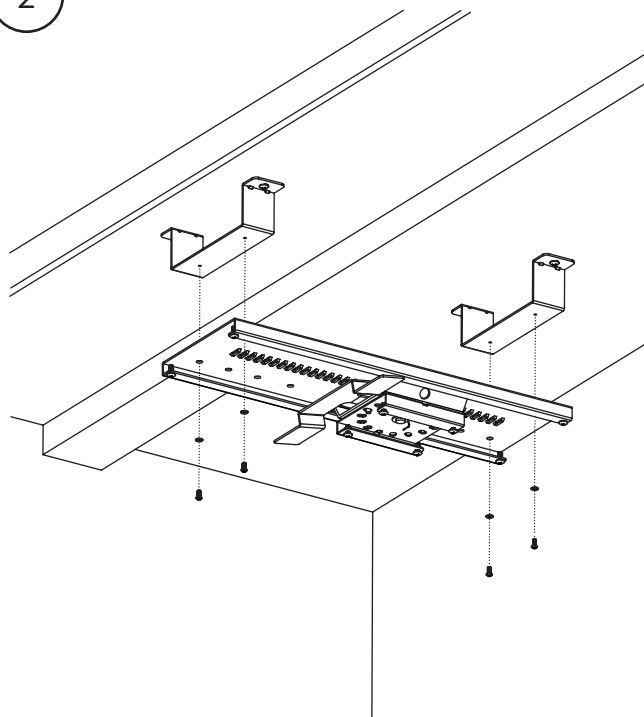
Cleaning Guidelines:
Only use non-solvent based cleaner

1

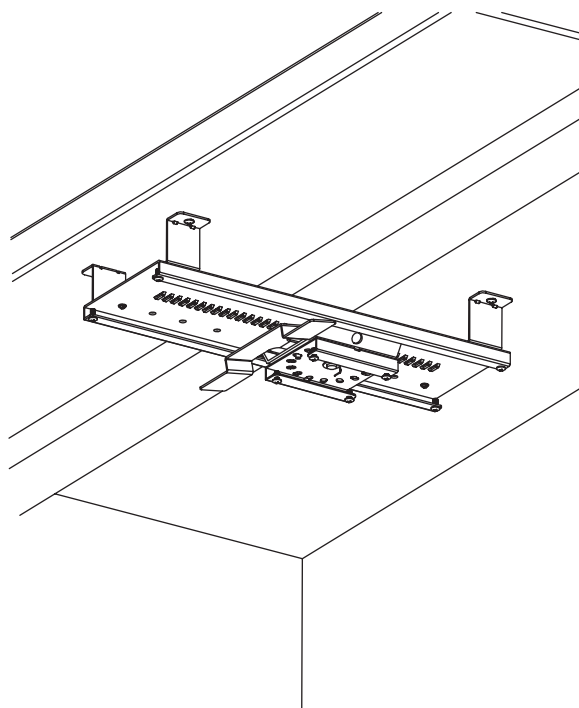


Screw brackets to surface. (Place appropriate distance apart for CPU holder)

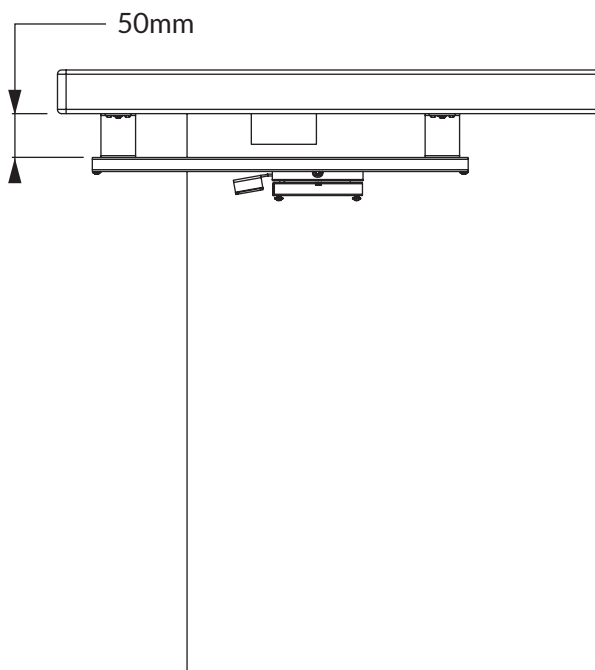
2



Attach CPU holder to brackets using screws provided.



Mount is now ready to accept C2, C3 or C4 CPU holder.



Spacers provide an additional 50mm of spacing from surface.