

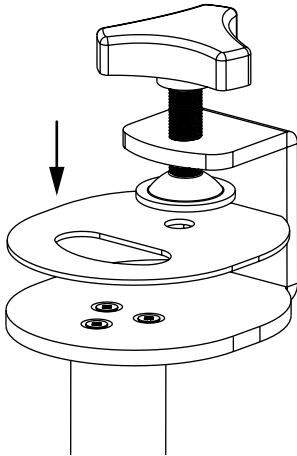
# Kardo Double - Pole Installation

## O & M Manual

Cleaning Guidelines:  
Only use non-solvent based cleaner

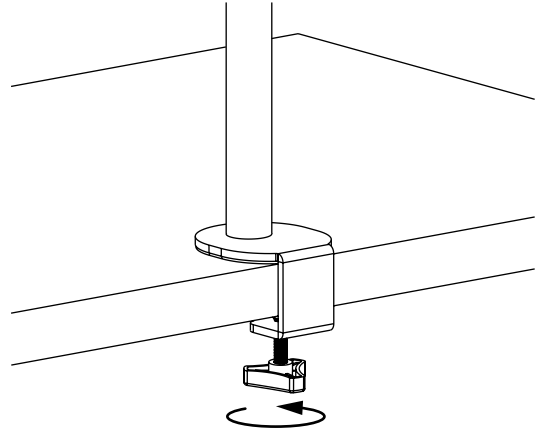
A1

**Option A:**  
Desk clamp  
install



Apply foam pad.

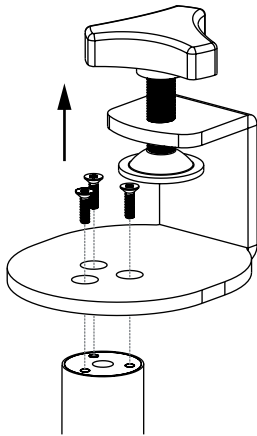
A2



Tighten monitor arm to table.

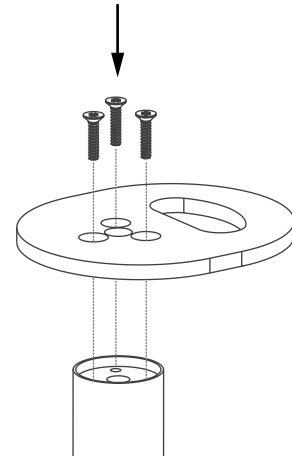
B1

**Option B:**  
grommet base  
install



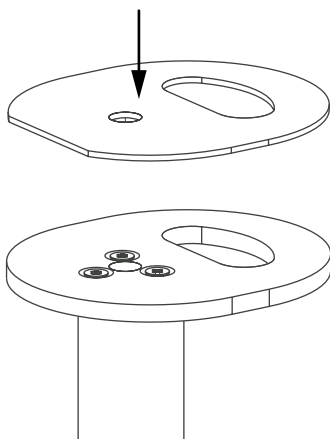
Remove desk clamp bracket.

B2



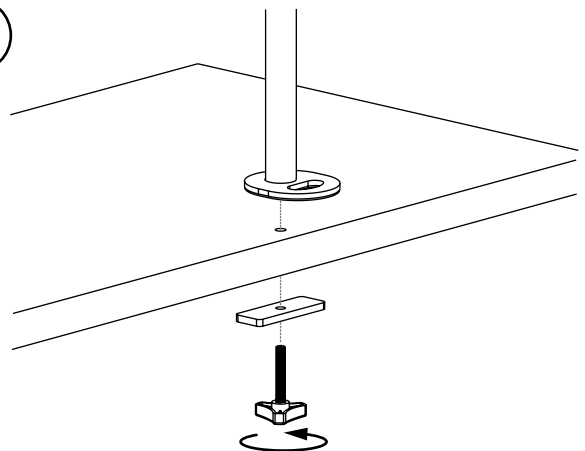
Fit grommet base plate. Ensure screws are tightened properly.

B3



Apply foam pad.

B4



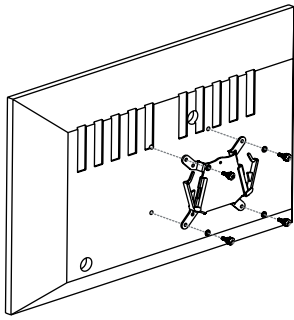
Tighten monitor arm to table

# Kardo Double - Vesa Installation

O & M Manual

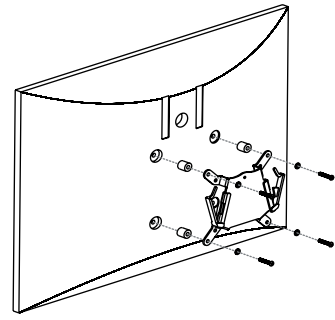
Cleaning Guidelines:  
Only use non-solvent based cleaner

1.a



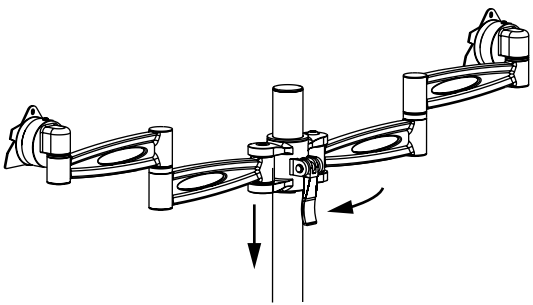
For flat back monitor:  
mount the VESA plate.

1.b



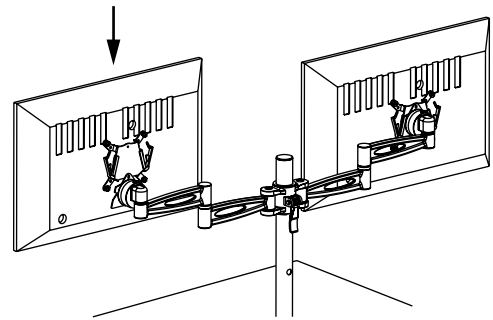
For curved back monitor:  
mount The VESA Plate with spacers.

2



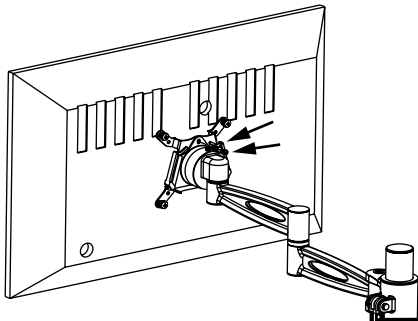
Slide the swivel arm onto the pole and clamp into position.

3



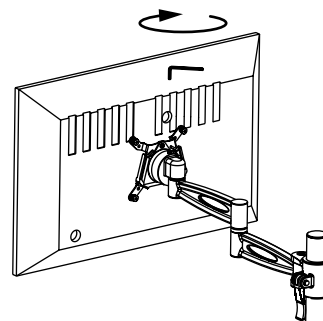
Slide the monitor arm onto the head of the swivel arm.

4



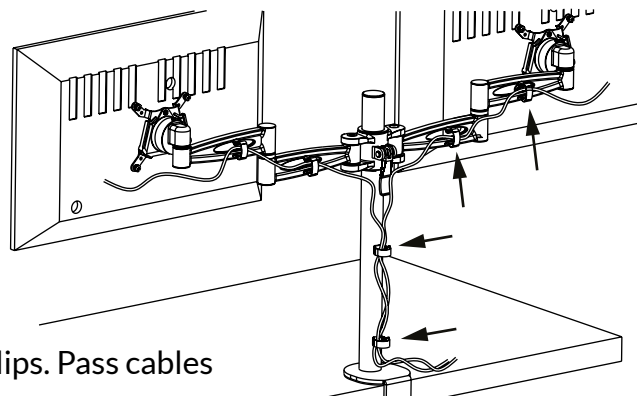
Close the quick locks and install the security screw and washer.

5



Adjust the tilt angle tension.

6



Install cable management clips. Pass cables through as per requirement.