

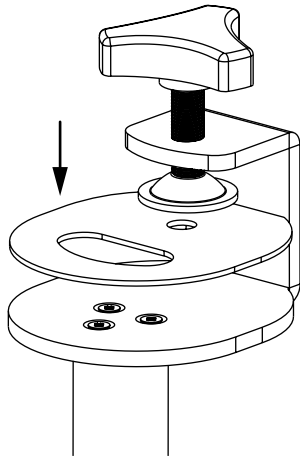
Kardo Single - Pole Installation

O & M Manual

Cleaning Guidelines:
Only use non-solvent based cleaner

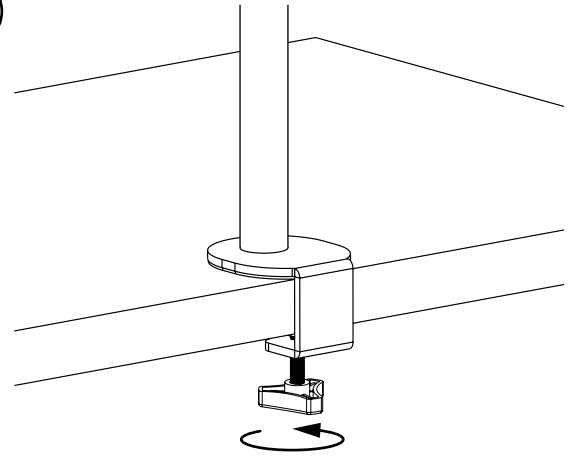
A1

Option A:
Desk clamp
install



Apply foam pad.

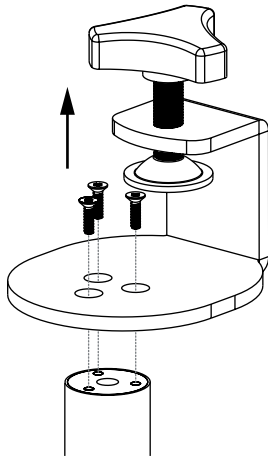
A2



Tighten monitor arm to table.

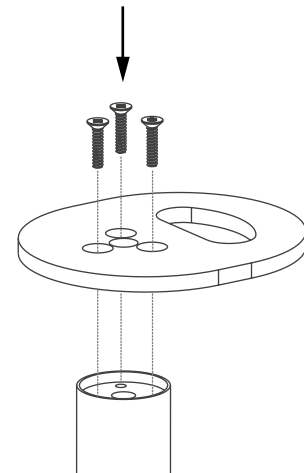
B1

Option B:
Grommet base
install



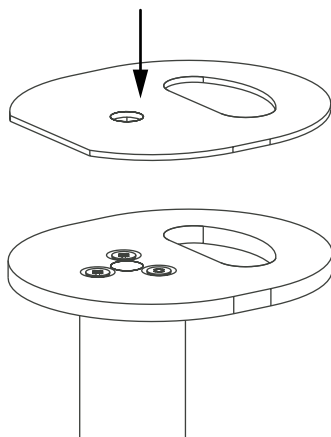
Remove desk clamp bracket.

B2



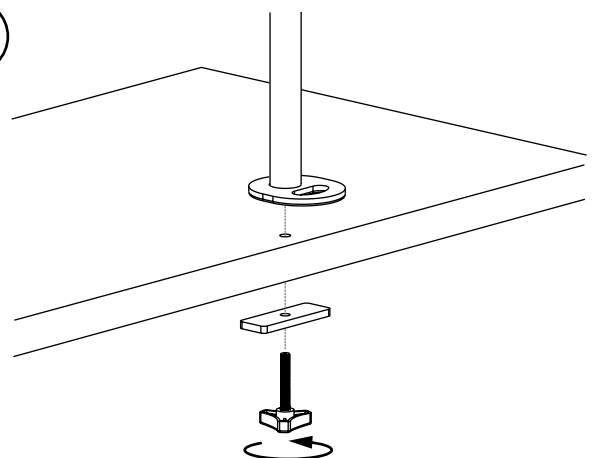
Fit grommet base plate. Ensure screws are tightened properly.

B3



Apply Foam Pad.

B4



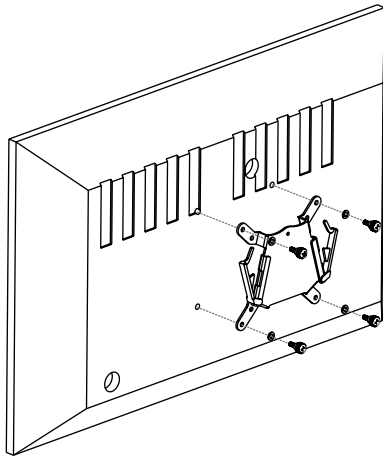
Tighten Monitor arm to table

Kardo Single - Vesa Installation

O & M Manual

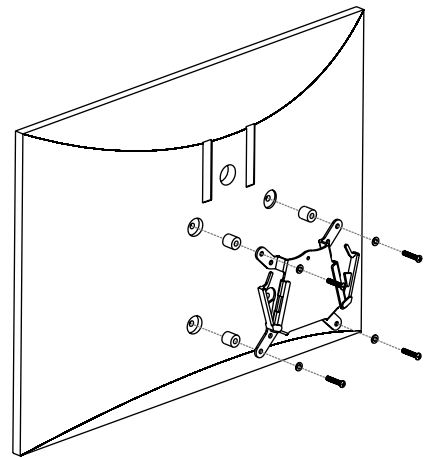
Cleaning Guidelines:
Only use non-solvent based cleaner

1.a



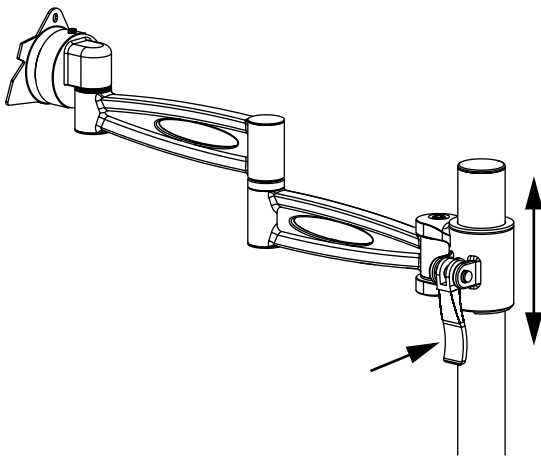
For flat back monitor:
Mount The VESA Plate.

1.b



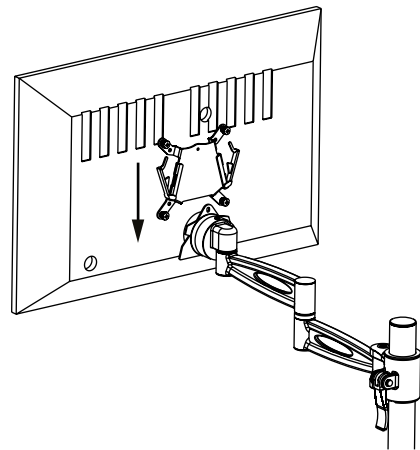
For curved back monitor:
Mount The VESA Plate with spacers.

2



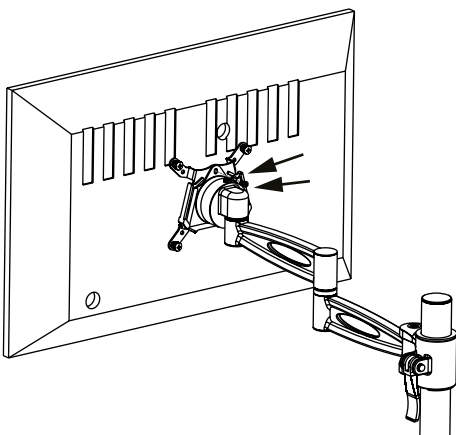
Slide the swivel arm onto the pole. Secure with lever.

3



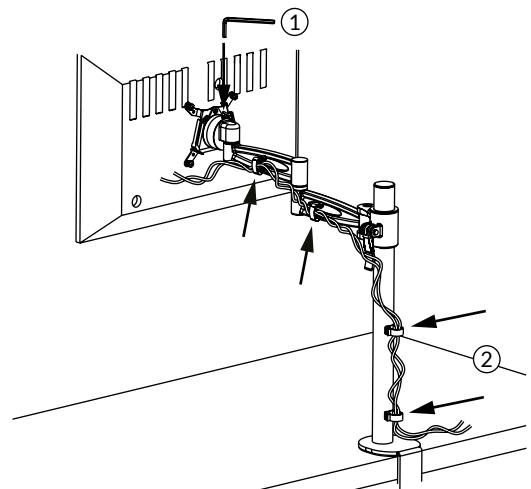
Slide the monitor arm on to the head of the swivel arm.

4



Close the quick locks and install the security screw.

5



1. Adjust the tilt angle tension.
2. Install the Cable management clips.