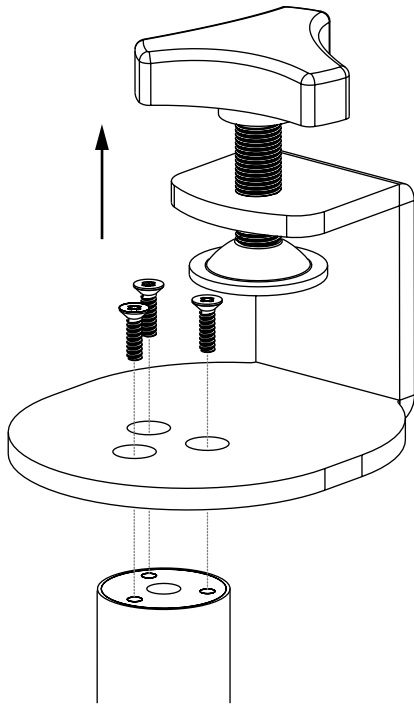


Kardo - Slim Line Clamp

O & M Manual

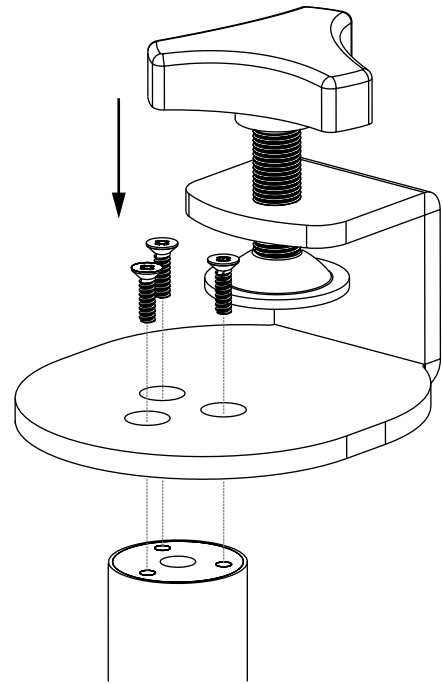
Cleaning Guidelines:
Only use non-solvent based cleaner
Do not wet power sockets

1



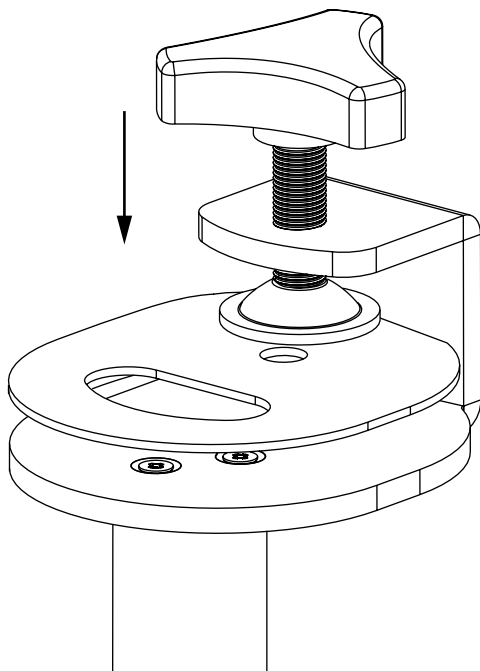
Remove desk clamp bracket.

2



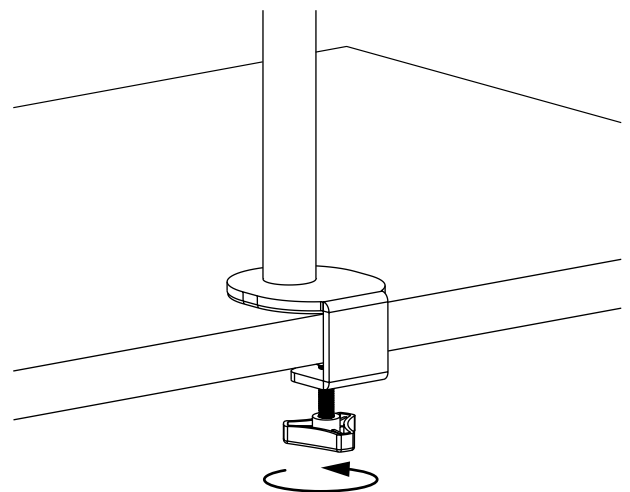
Attach Slim Clamp.

3



Apply foam pad.

4






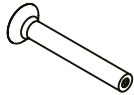


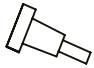




Attach monitor arm to table.

Swan Arm - Single

O & M Manual

Cleaning Guidelines:
 Only use non-solvent based cleaner
 Do not wet power sockets

Parts list			
No.	ITEM	SPECS	QUANTITY
A			1
B			1
C			1
D		M5*12	4
E		M8*12	1
F		M6*50	1
G			1
H			1
I			4
J			1
K			1