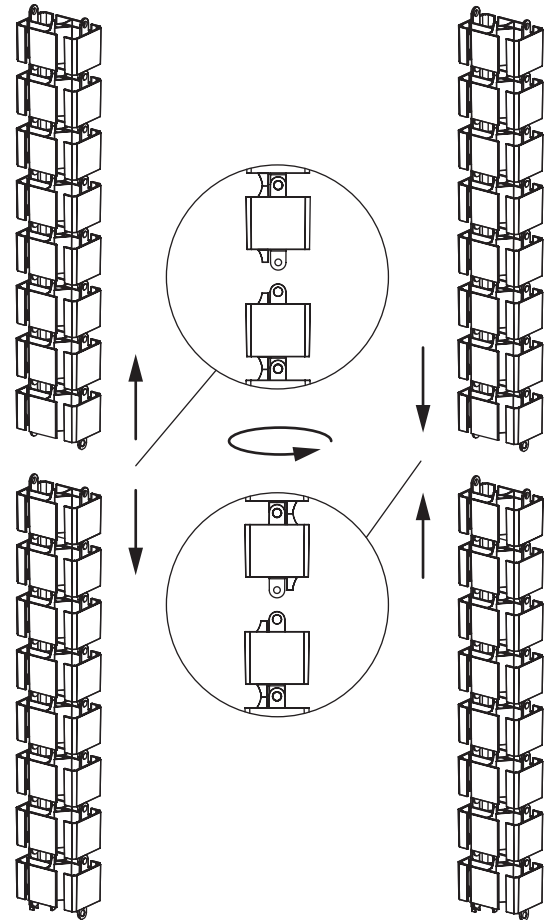


1



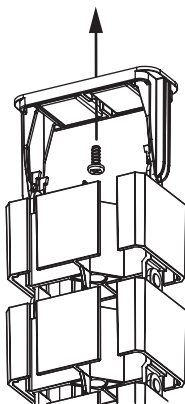
Attach top and bottom brackets to cable spine.

Segment Orientation:



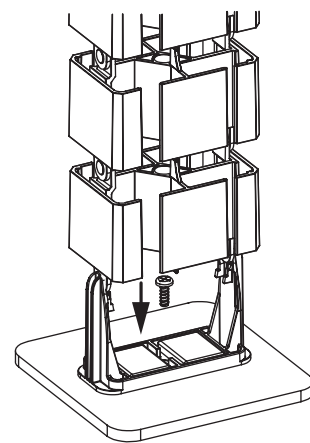
Standard orientation: rotate motion links 180° half way through spine length.

2



Attach top bracket to desk using magnets and/or screws.

3



Attach bottom brackets to base using magnets and/or screw.