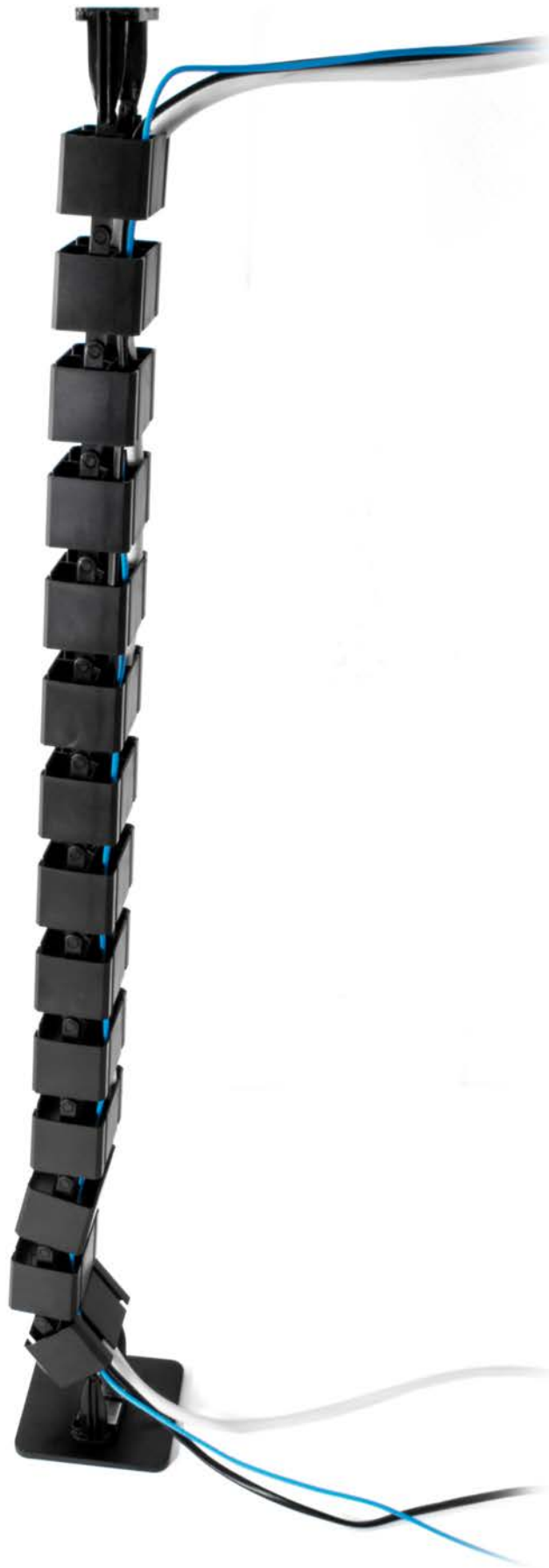


Motion

Cable management



Motion

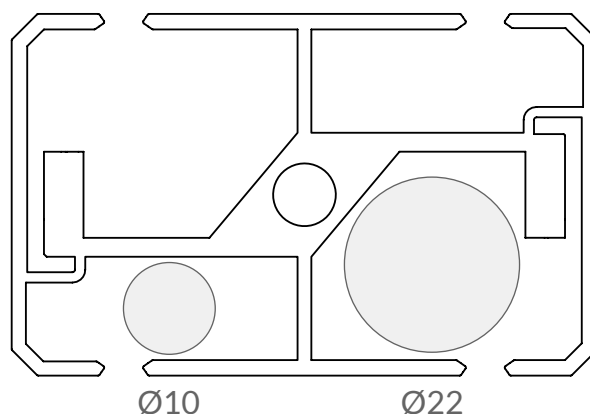
Cable management



The Motion is a vertical cable management spine which easily transitions from vertical to horizontal hanging and can be fixed using screws or magnets. With the direction of bend being able to be set at each link and customisable length, Motion's cable control is perfect for sit stand desking. Pliable flame retardant material makes product easier to fit than most equivalent products.

- Excellent for sit stand work stations
- Easy cable segregation
- Vertical & horizontal cable ways
- Fixable directions
- Magnet & screw attachments included
- Optional weighted base
- Adjustable length

Max Cable Size



4 internal segments allows for thorough organisation and segregation of power and data cables. With weighted base and robust cable clips top & bottom this is a BS6396 compliant cable spine.