

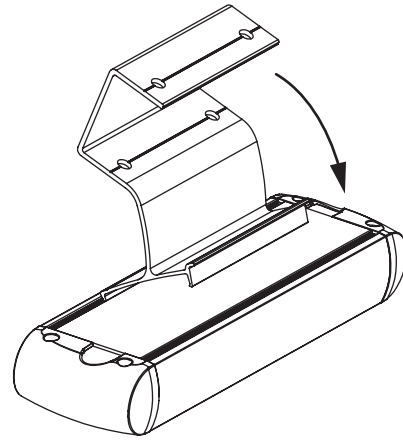
# Pebble - Clamp

## O & M Manual

Cleaning Guidelines:  
Only use non-solvent based cleaner  
Do not wet power sockets

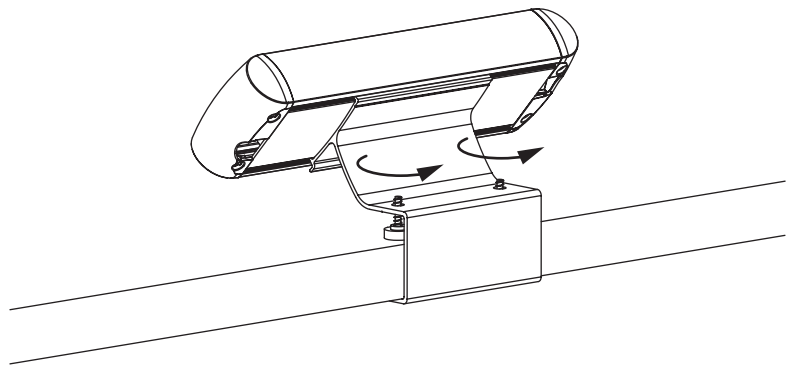
1

Attach Clamp by clipping into back grooves on unit.



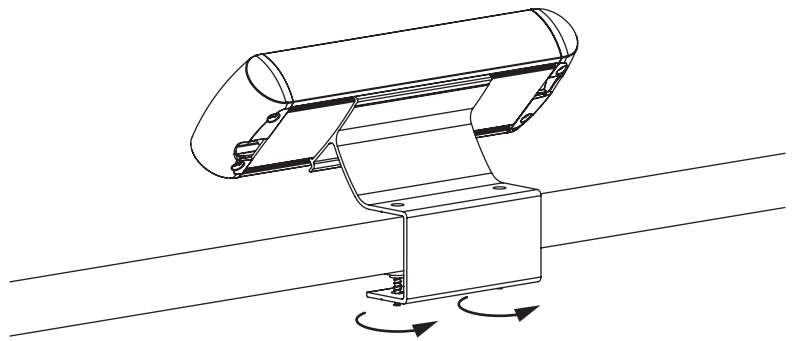
2

Attach unit by tightening screws securely against table, do not overtighten.



### For Sliding Tables:

Attach unit by tightening screws from top against table by finger tightening.



### To Remove Clamp:

Remove Clamp by using tool to leverage, then push down to click apart.

