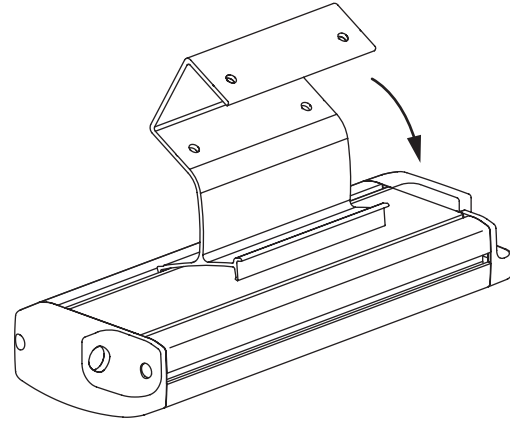


Summit - Clamp

O & M Manual

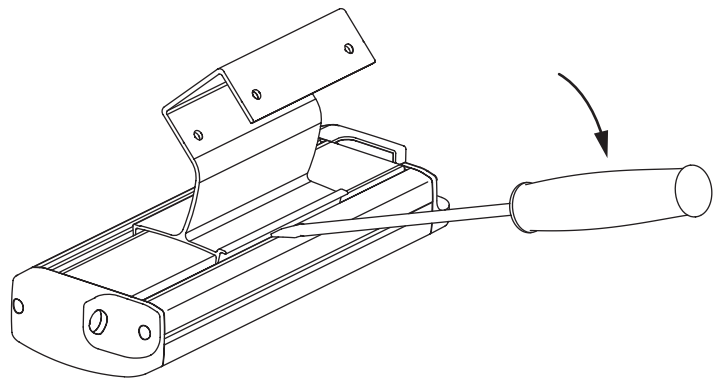
Cleaning Guidelines:
Only use non-solvent based cleaner
Do not wet power sockets

1



Attach Clamp by clipping into 2 back grooves on unit.

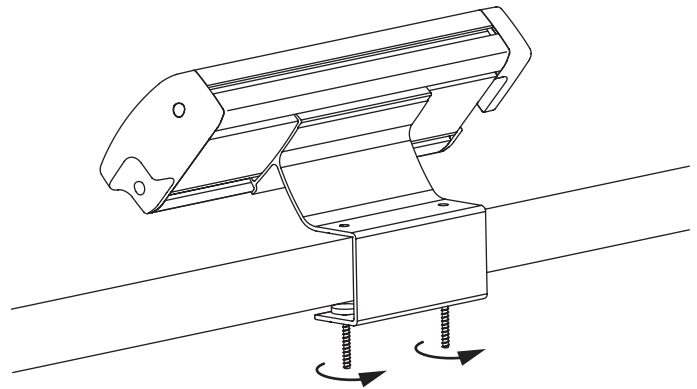
2



Attach unit by tightening screws securely against table, do not overtighten.

For Sliding Tables:

Attach unit by tightening screws from top against table by finger tightening.



To Remove Clamp:

Remove Clamp by using tool to leverage, then push down to click apart.

