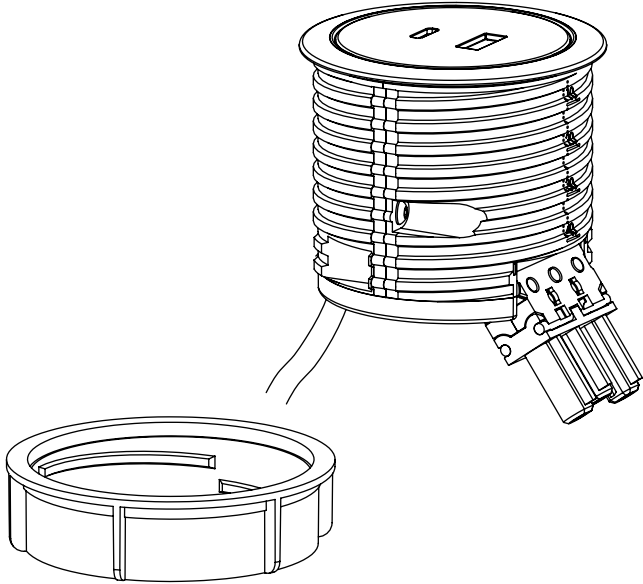


# Shot - Rise

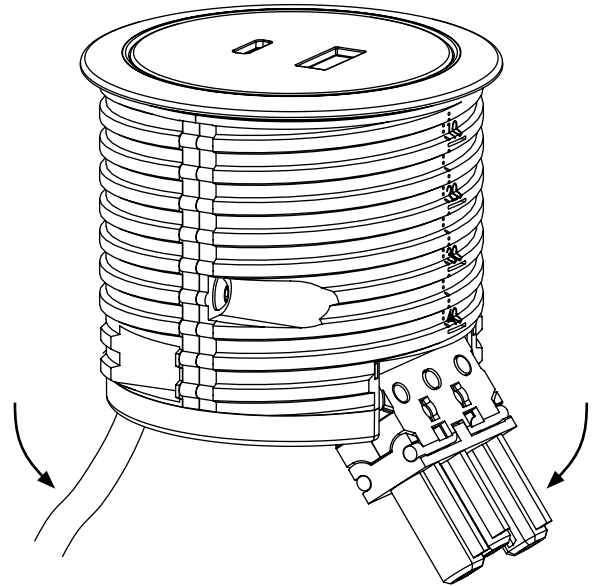
O & M Manual

Cleaning Guidelines:  
Only use non-solvent based cleaner  
Do not wet power sockets

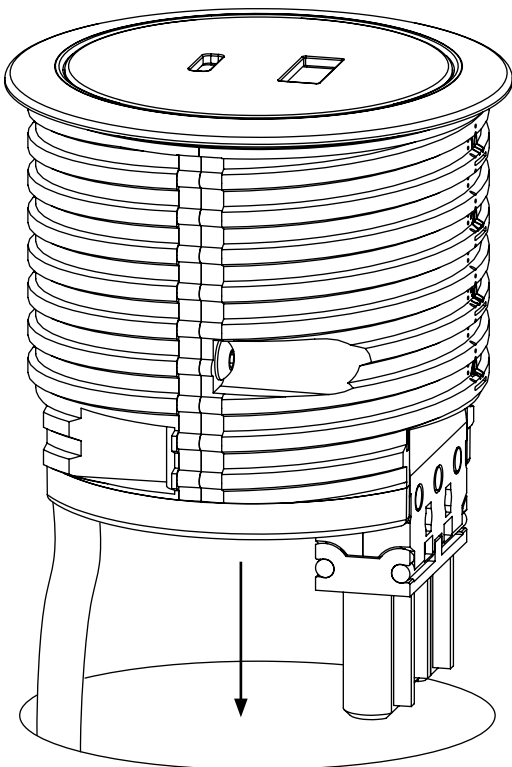
- 1 Make sure screw wheel is removed from unit.



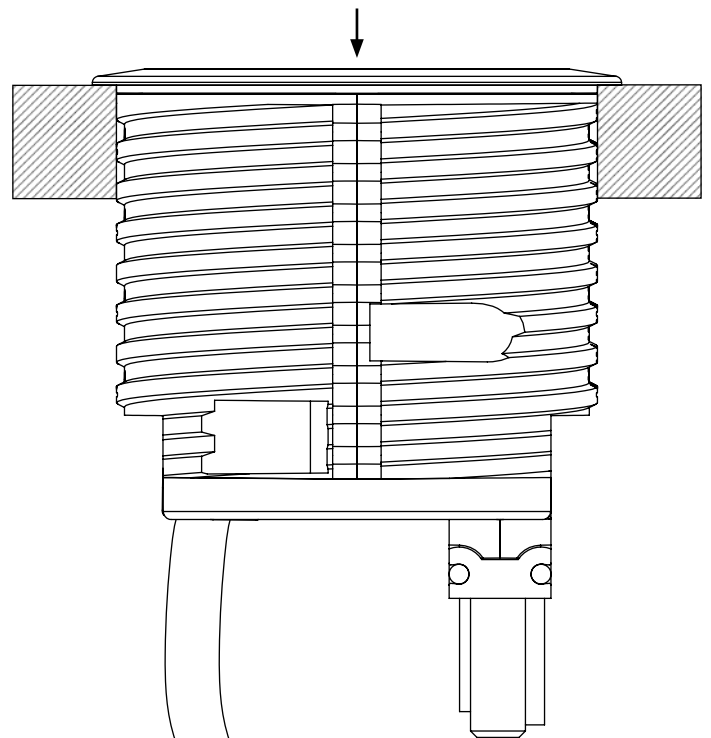
- 2 Fold power connectors and/or cables to their down position.



- 3 Place unit into pre-cut 60mm diameter hole in worktop.

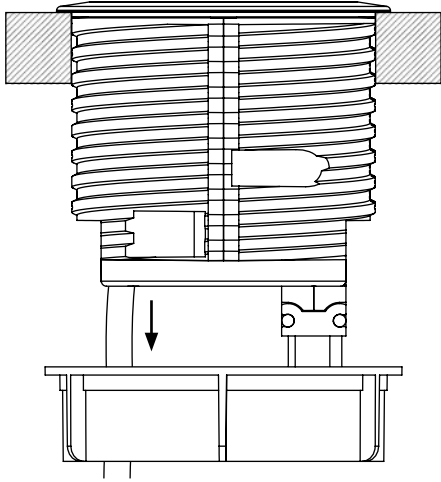


- 4 Hold unit in place to prevent any movement.

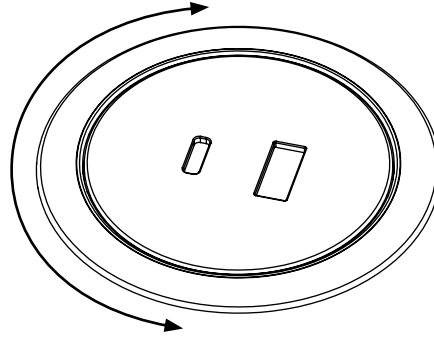


5 Securing to desk.

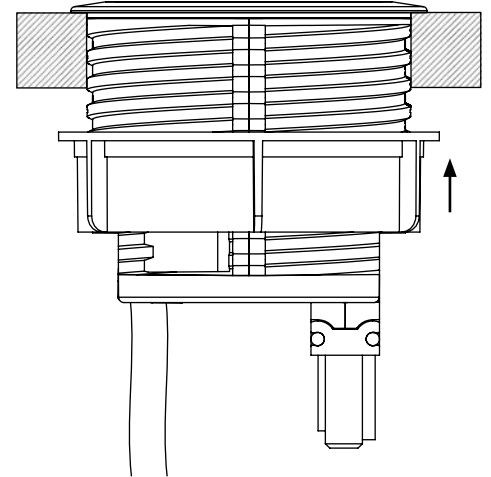
5.1 Feed any cables through screw wheel.



5.2 Turn unit to desired orientation in worktop.



5.3 Tighten screw wheel onto unit, sandwiching the worktop.



6 Fold connectors as needed to ease cabling/ wiring.

