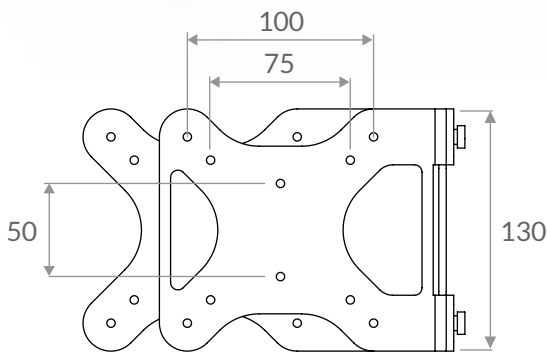
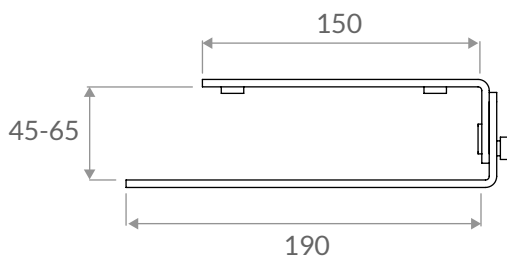


# Taco

CPU holder



\*Hole Pattern Mirrored on other side



\*All measurements in mm

\*Length of strap 100mm

- Easy adjustment
- Soft grip pads
- Open design aids cooling
- Desktop or side panel fixing
- Safety screw position locks

The Taco CPU holder is carefully designed to keep your CPU safe in a space saving manner. Designed to fit a majority of small scale CPU's the Taco is available in black, other colours available on request. Taking CPUs up to 68mm thick it screws to surfaces and is bound for extra security with a buckle strap.