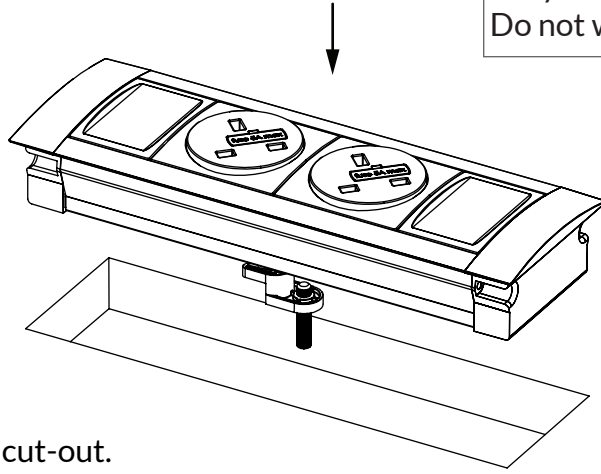


# Mirage - In Desk

## O & M Manual

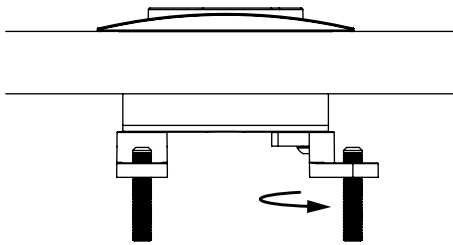
Cleaning Guidelines:  
 Only use non-solvent based cleaner  
 Do not wet power sockets

1



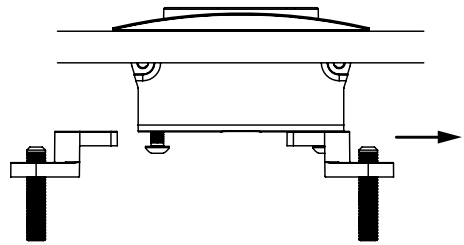
Position Mirage unit inside desk cut-out.

2A For Desktop Thickness: 15-45mm



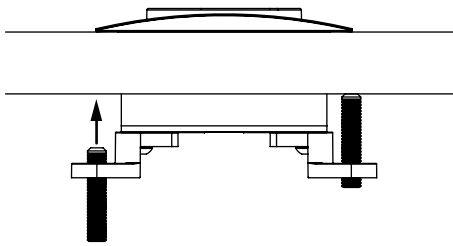
Swivel brackets out from module.

2B For Desktop Thickness: 0-15mm



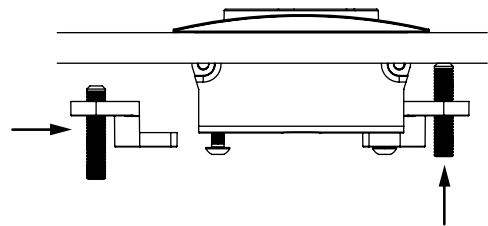
Remove brackets from module.

3A



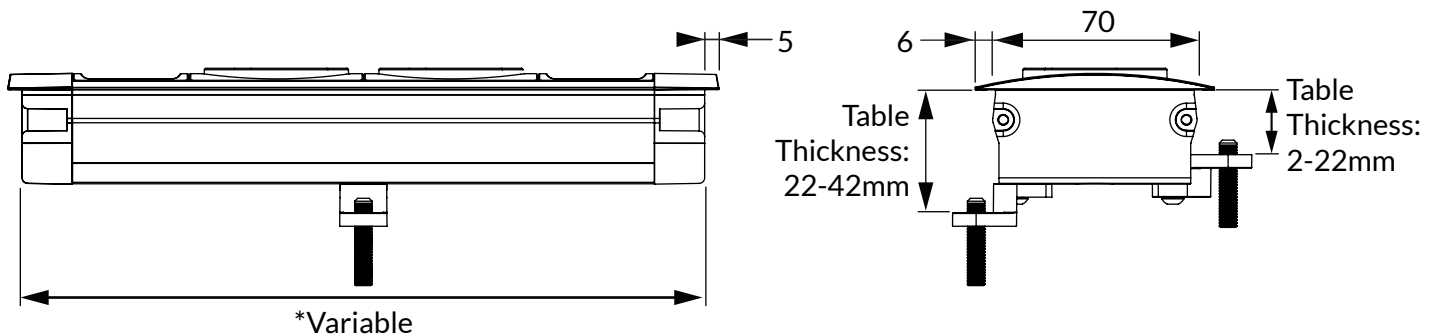
Tighten screws against table.

3B



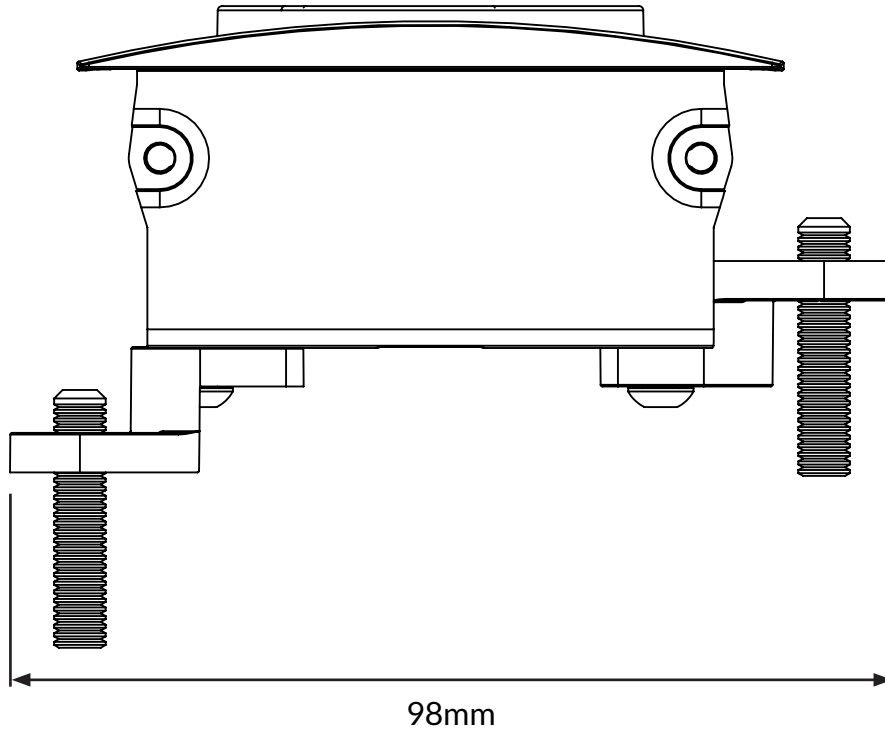
Attach brackets, tighten screws against table.

### Dimensions:



Cleaning Guidelines:  
Only use non-solvent based cleaner  
Do not wet power sockets

## Clamp Width:



## Cut-out corner radius:

