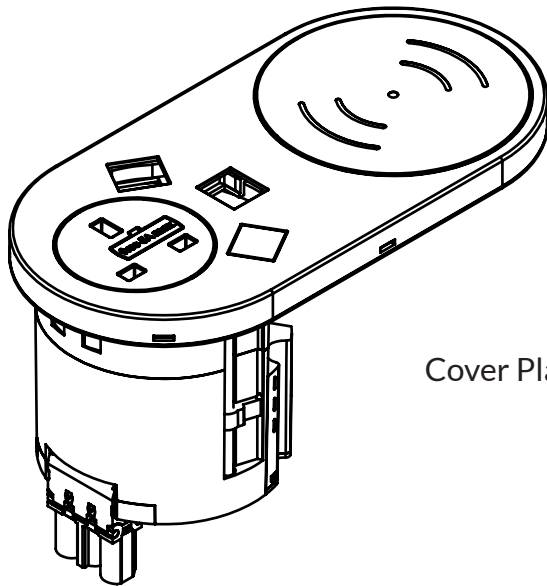
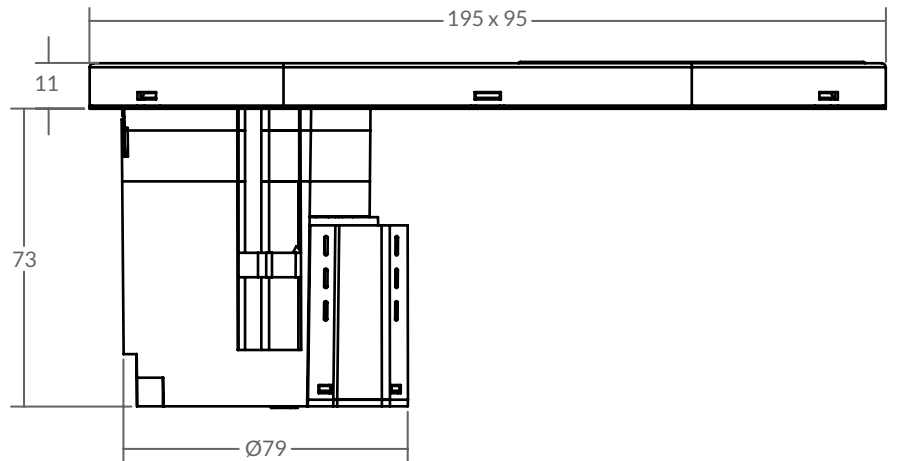
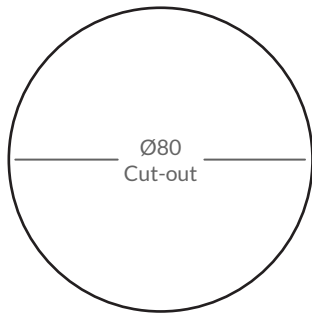


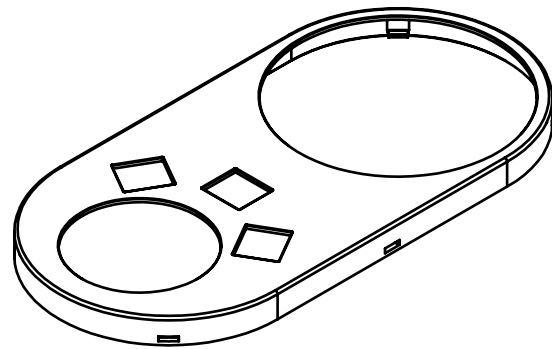
EMII - Wireless Charge

O & M Manual

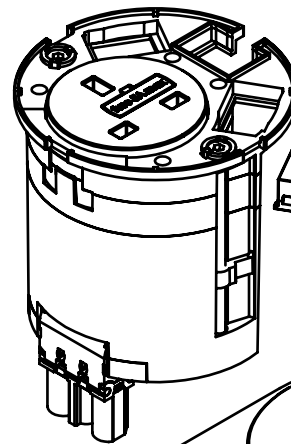
Cleaning Guidelines:
Only use non-solvent based cleaner
Do not wet power sockets



Cover Plate



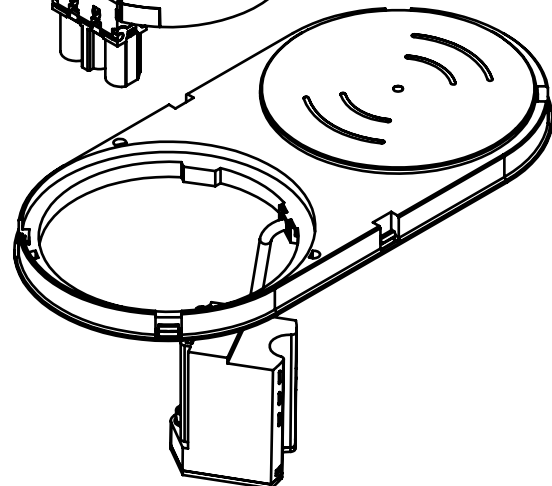
Main Unit



Blank Keystone



Wireless Charge Unit

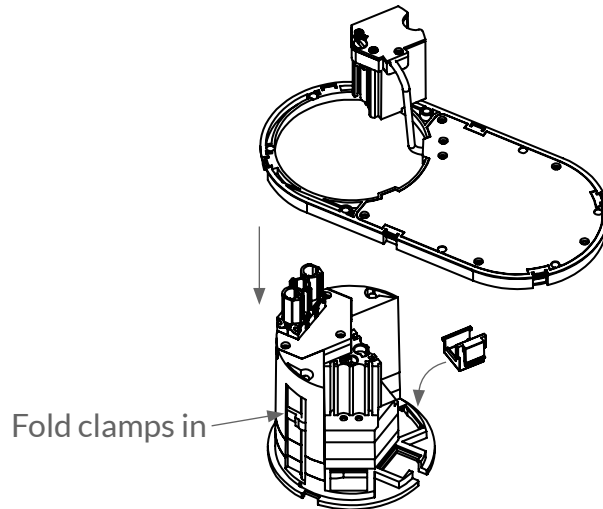


EMII - Wireless Charge

O & M Manual

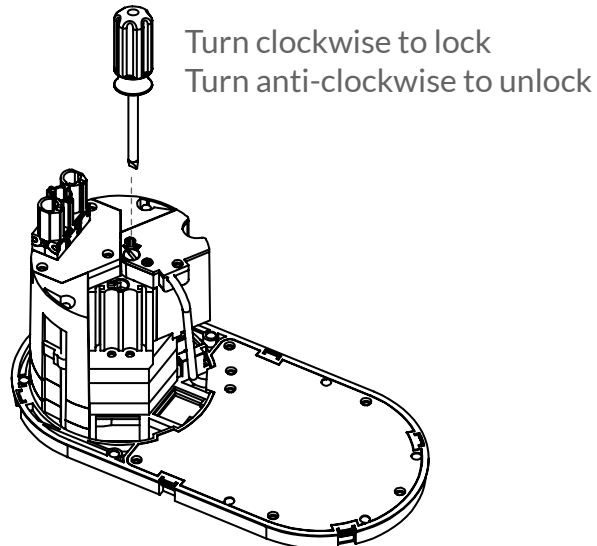
Cleaning Guidelines:
Only use non-solvent based cleaner
Do not wet power sockets

1



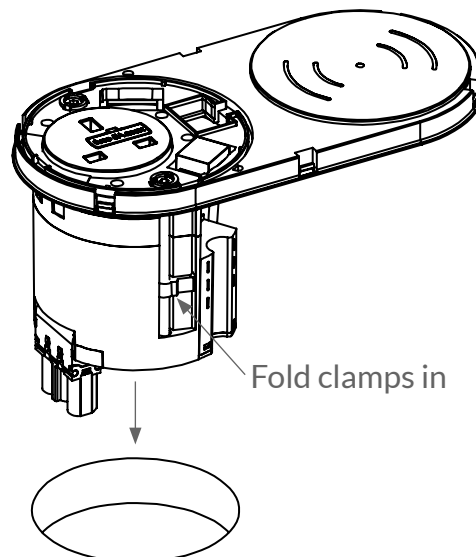
Slide wireless charge pad over and cartridge onto the main unit.
Clip keystone blank into position above cartridge.

2



Use flat head screw driver to turn clockwise (quarter turn) to lock.

3

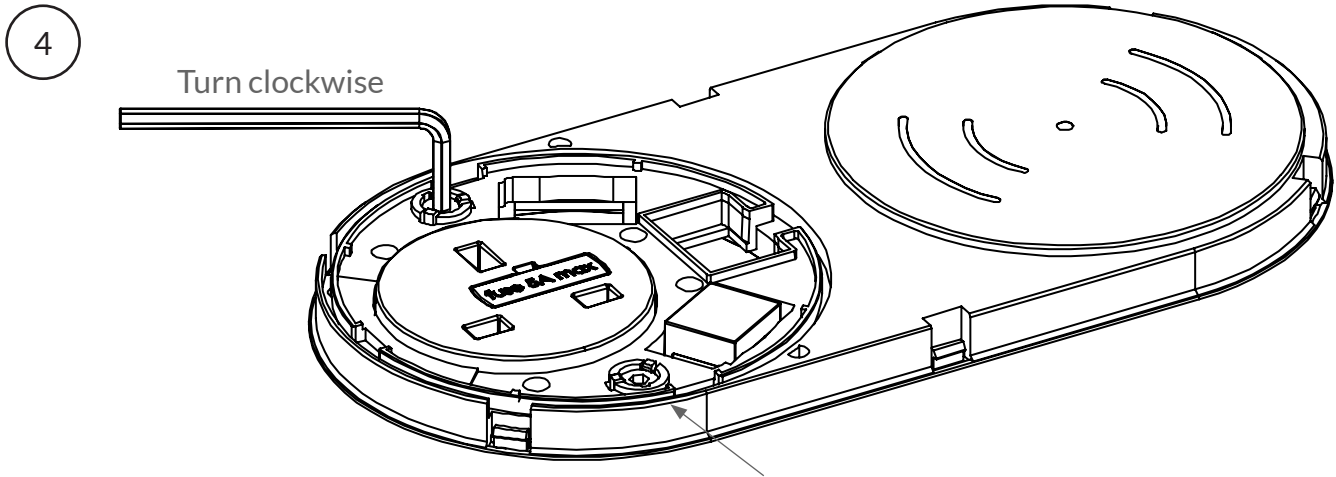


Insert module into 80mm diameter cut out.

EMII - Wireless Charge

O & M Manual

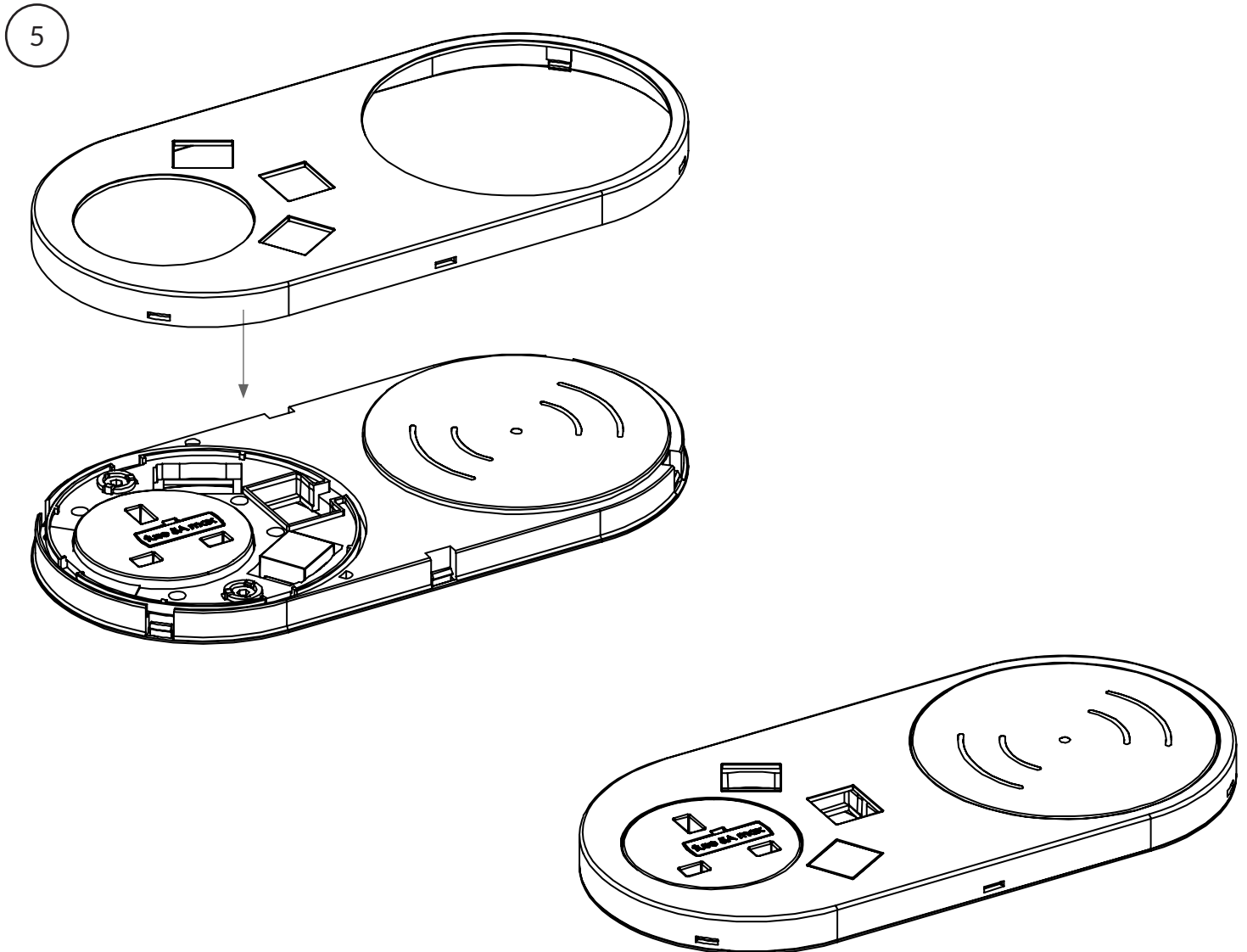
Cleaning Guidelines:
Only use non-solvent based cleaner
Do not wet power sockets



Orientate unit into correct position.

Using a 3mm Allen key turn the 2 screws clockwise to clamp unit to surface.

If using electric screwdriver ensure tool clutch is at setting 1.



Align Cover Plate with outlets and push down on the 6 clips to fix in place.