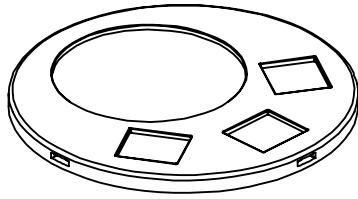


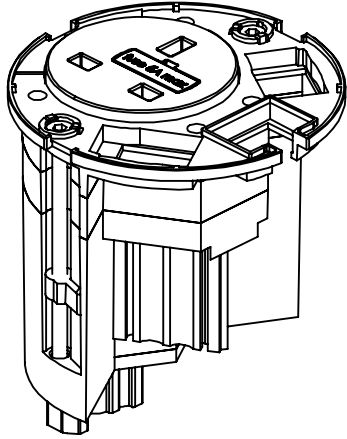
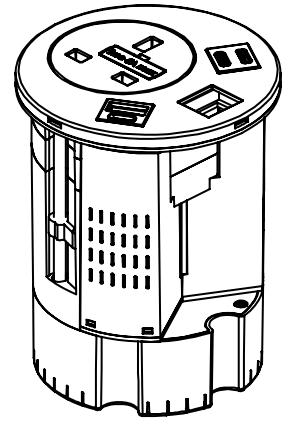
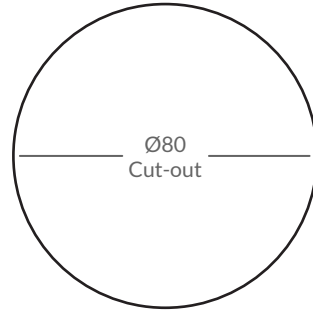
EMII

O & M Manual

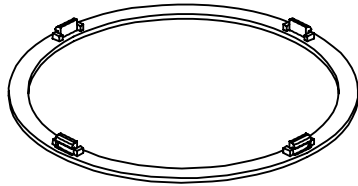
Cleaning Guidelines:
Only use non-solvent based cleaner
Do not wet power sockets



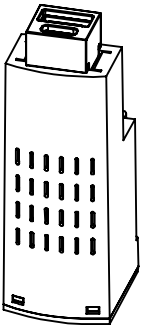
— Cover Plate



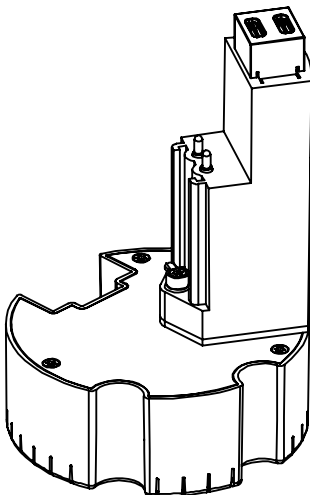
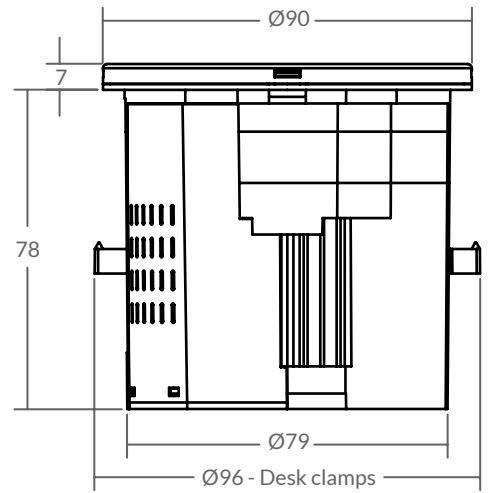
— Main Unit



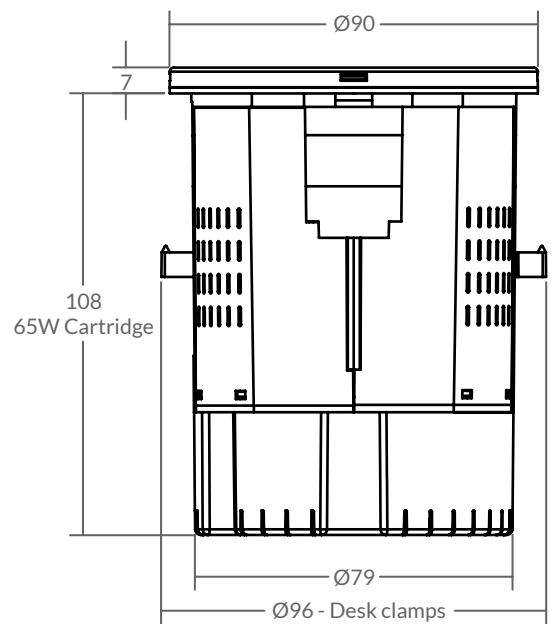
— Fixing Ring



— Add-On
USB A&C (18W)
Cartridge



— Add-On
USB C&C (65W)
Cartridge

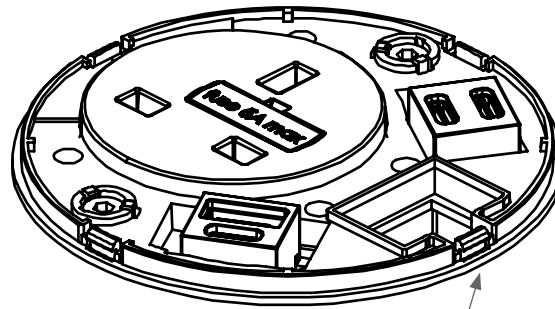
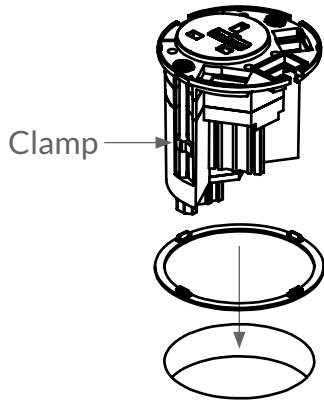


EMII - Desk Fixing

O & M Manual

Cleaning Guidelines:
Only use non-solvent based cleaner
Do not wet power sockets

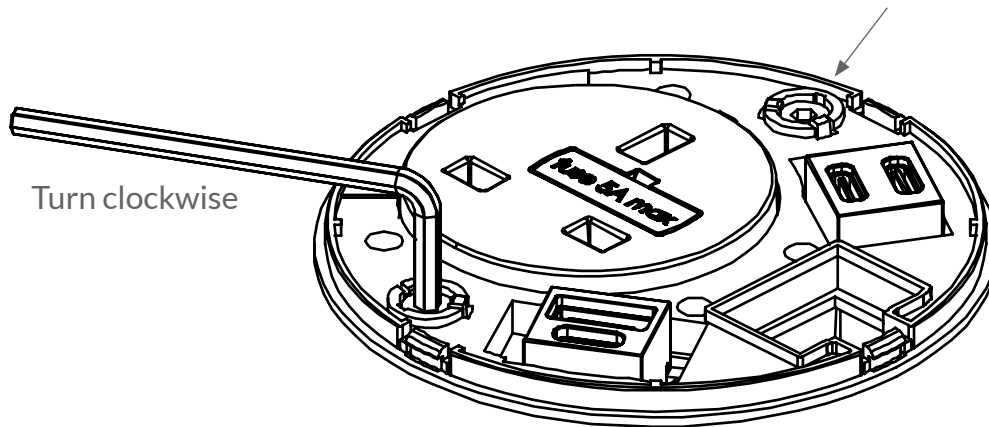
1



Make sure clamps are folded in.

Insert module through fixing ring into 80mm diameter cut out.

2

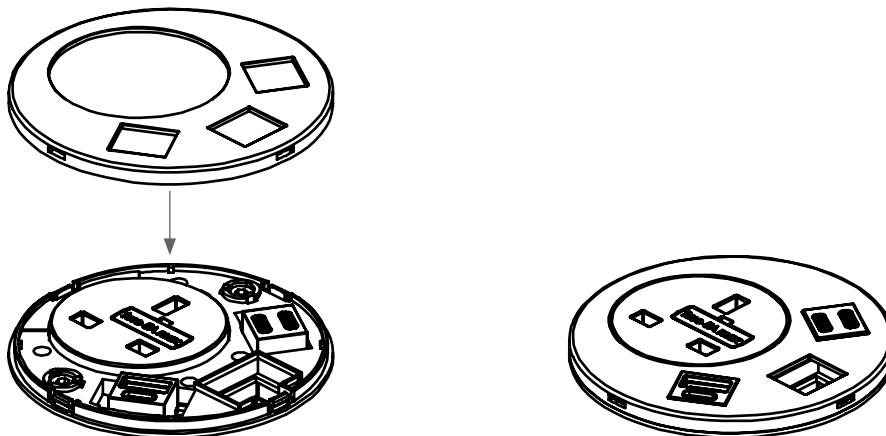


Orientate unit into correct position.

Using a 3mm Allen key turn the 2 screws clockwise to clamp unit to surface.

If using electric screwdriver ensure tool clutch is at setting 1.

3



Align Cover Plate with outlets and push down on the 4 clips to fix in place.

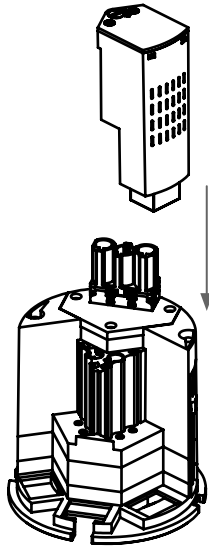
EMII - USB Cartridge

O & M Manual

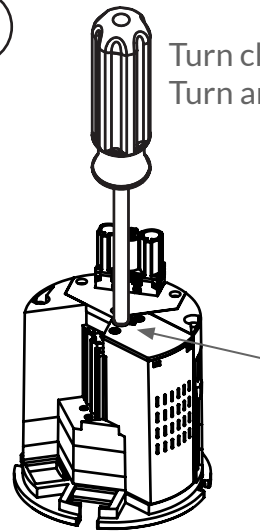
Cleaning Guidelines:
Only use non-solvent based cleaner
Do not wet power sockets

Add-On - USB A&C (18W) Cartridge

1



2

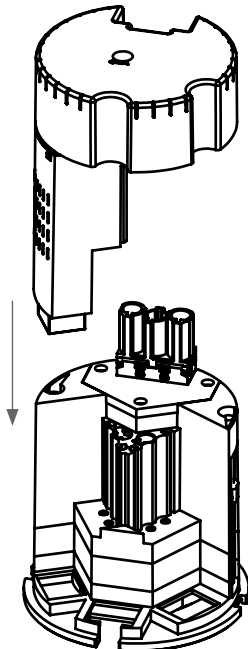


Turn clockwise to lock
Turn anti-clockwise to unlock

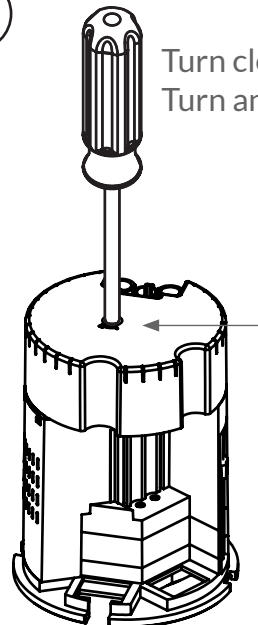
Slide USB A&C (18W) Cartridge onto back of Eyelet.
Use flat head screw driver to turn clockwise (quarter turn) to lock.
Quarter turn anti-clockwise to unlock.

Add-On - USB C&C (65W) Cartridge

1



2



Turn clockwise to lock
Turn anti-clockwise to unlock

Other cartridges must be fitted first
Slide USB C&C (65W) Cartridge onto back of Eyelet.
Use flat head screw driver to turn clockwise (quarter turn) to lock.
Quarter turn anti-clockwise to unlock.

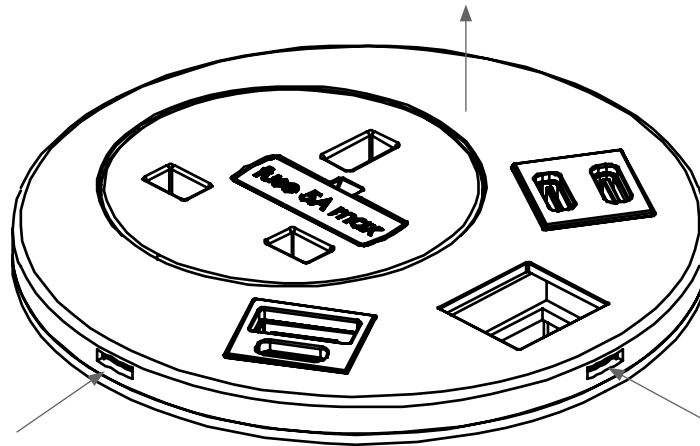
EMII - Removal

O & M Manual

Cleaning Guidelines:
Only use non-solvent based cleaner
Do not wet power sockets

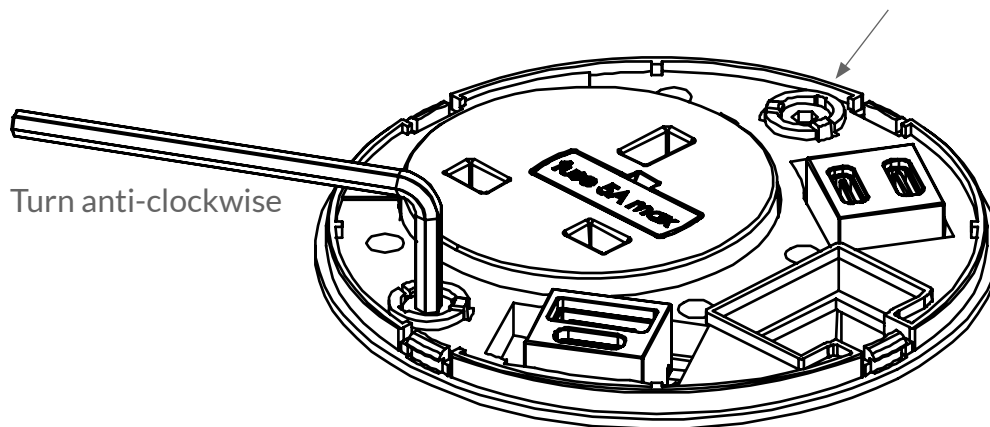
1

Option 1 - Removal from above desk



Pull front cover up while releasing the 4 clips from side using a flat head screwdriver.

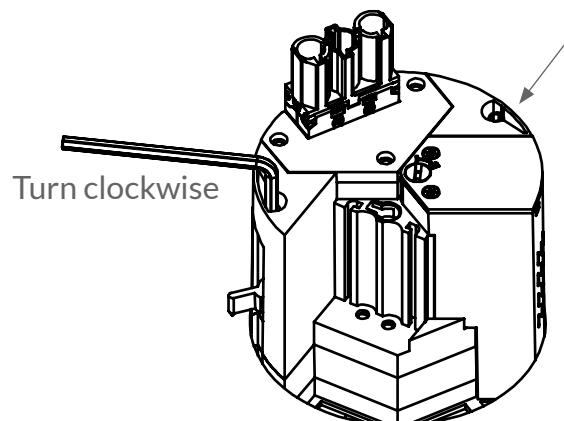
2



Using a 3mm Allen key turn the 2 screws anti-clockwise to clamp unit to surface.
If using electric screwdriver ensure tool clutch is at setting 1.

1

Option 2 - Removal from below desk



Using a 3mm Allen key turn the 2 screws **clockwise** to loosen clamp from surface.
Ensure clamps are folded in and push unit through surface.
If using electric screwdriver ensure tool clutch is at setting 1.