

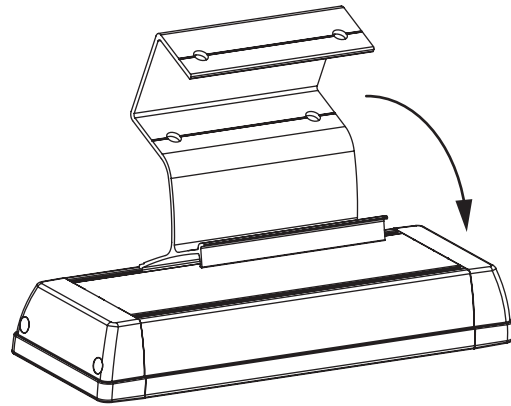
Lava - Clamp

O & M Manual

Cleaning Guidelines:
Only use non-solvent based cleaner
Do not wet power sockets

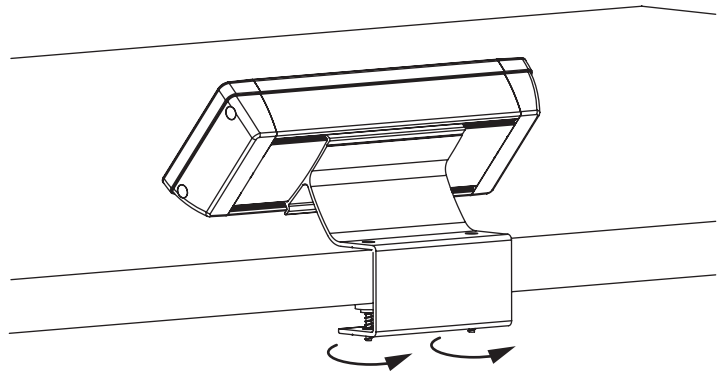
1

Attach clamp by clipping into grooves on back of unit.



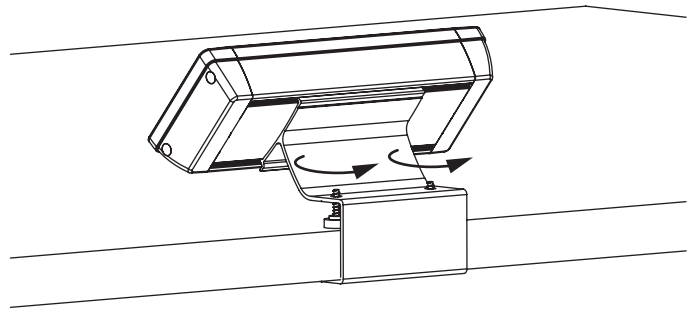
2

Attach unit by tightening screws securely against table, do not overtighten.



For Sliding Tables:

Attach unit by tightening screws from top against table by finger tightening.



To Remove Clamp:

Remove Clamp by using tool to leverage, then push down to click apart.

