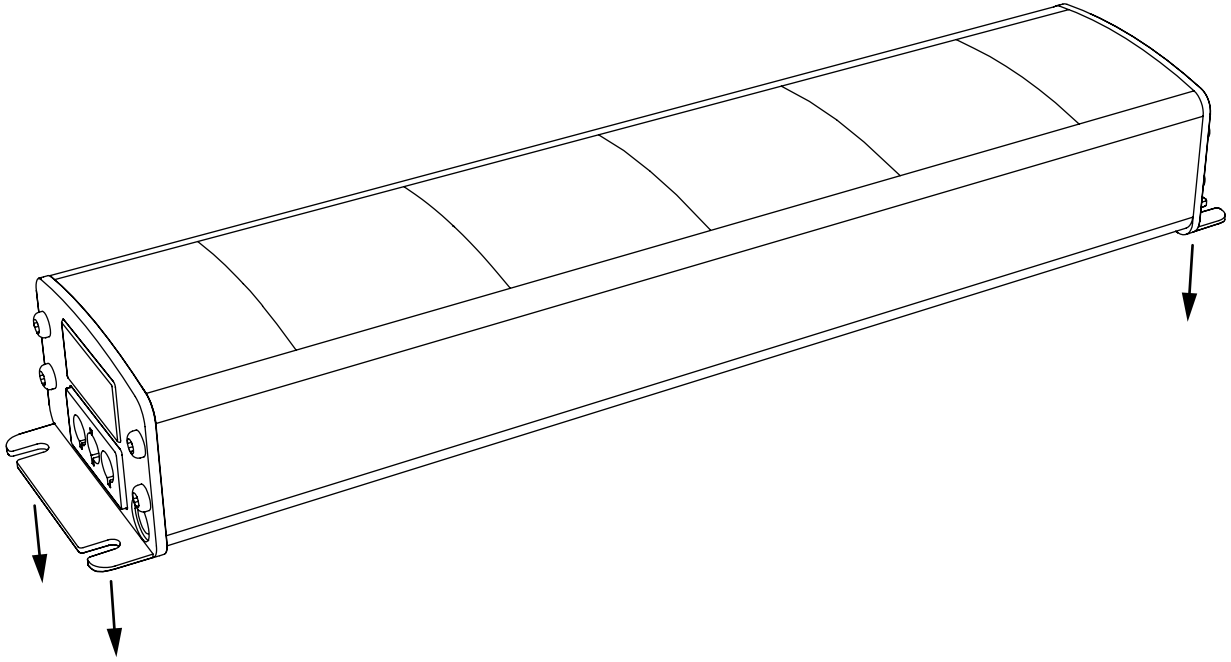


Sub - Screw Attachment

O & M Manual

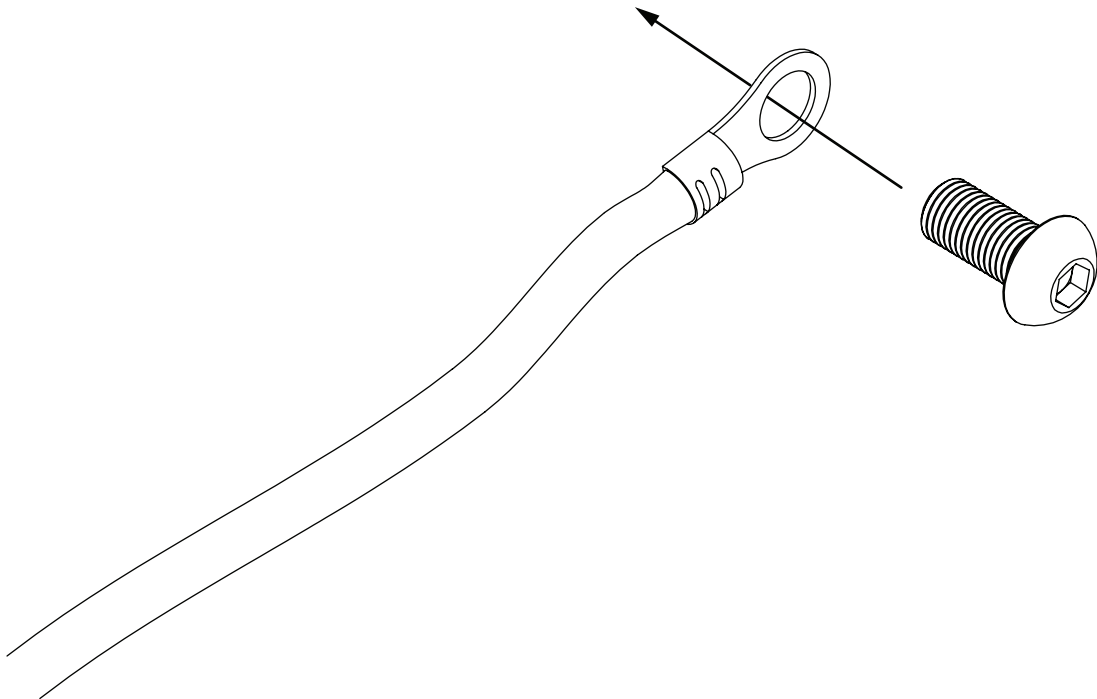
Cleaning Guidelines:
Only use non-solvent based cleaner
Do not wet power sockets

1



Attach unit to surface if needed via 4 alignment holes.

2



Where applicable, screw earth lead to terminal.

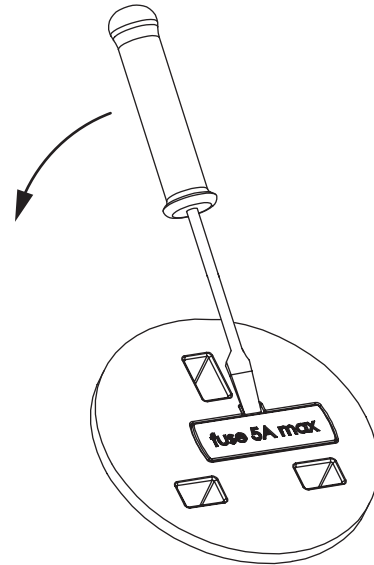
Fuse - Fuse Changing

O & M Manual

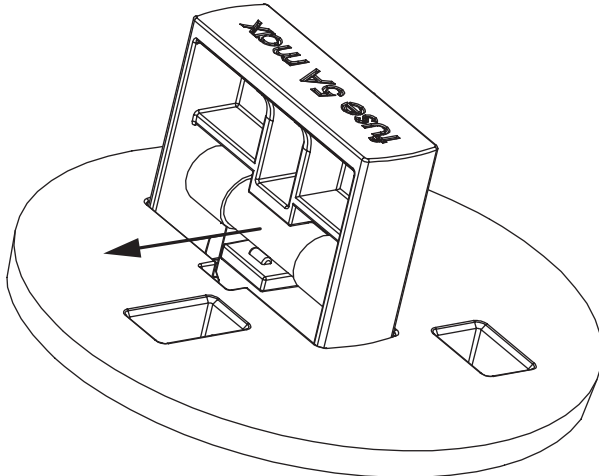
Cleaning Guidelines:
Only use non-solvent based cleaner
Do not wet power sockets

1

Unplug unit. Remove fuse holder with screwdriver or similar.



2



Fully open fuse holder and remove fuse. Replace with new fuse.

3

Push closed until fuse holder clicks into place.

