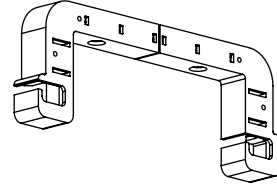
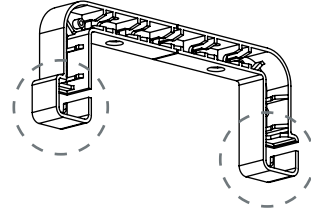
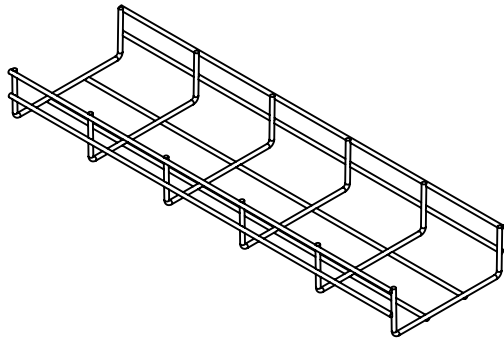


U-Basket

O & M Manual

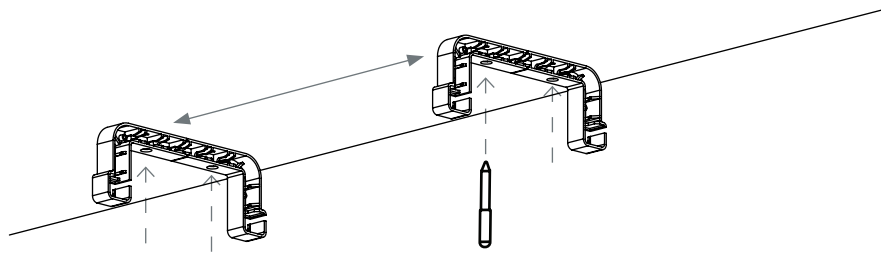
Cleaning Guidelines:
Only use non-solvent based cleaner

1



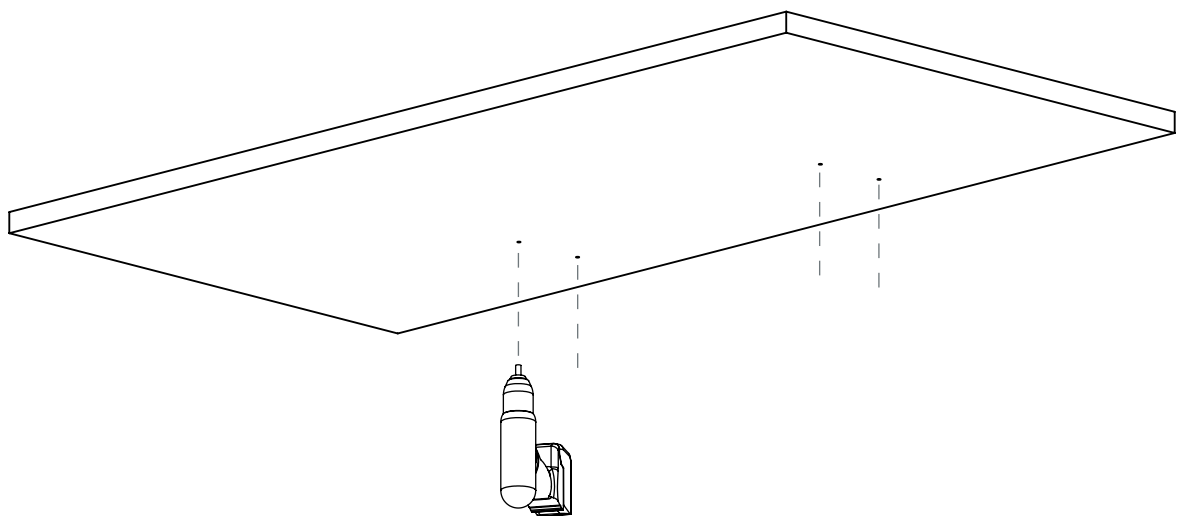
Make sure hooks are facing the back of desk.

2



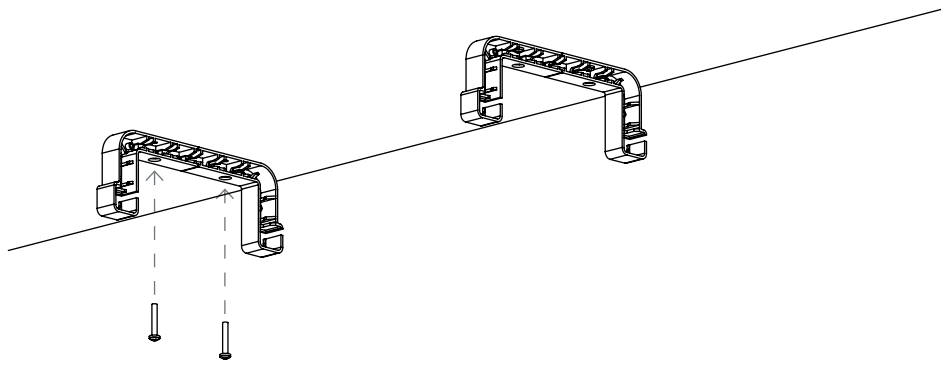
Set the distance for hooks depending on the length of basket.
Mark out 4 fixing points at underside of desk.

3



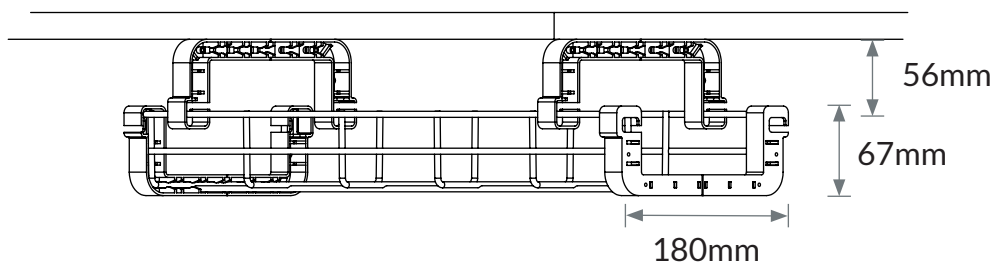
Use 2.5mm drill bit to drill 4 pilot holes.

4



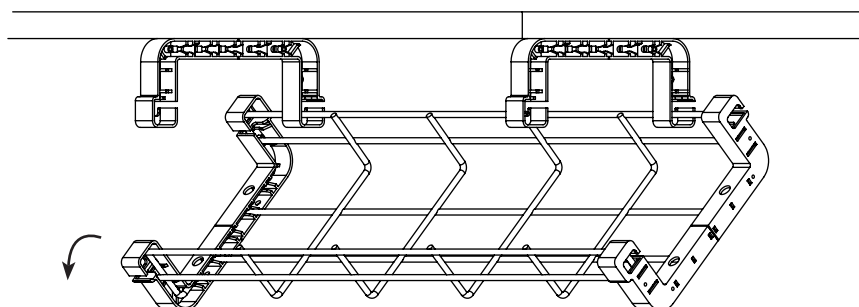
Check screw length is suitable for worktop before fitting.
Use screws to secure hooks in place.

5



Hang basket in place.

6



Push basket backward slightly to unhook.